

**IRIS® HIPPI-Serial XIO™ Board  
Installation Instructions**

**Document Number 108-0160-001**

---

## CONTRIBUTORS

Written by Carlin Otto  
Illustrated by Dan Young, Cheri Brown, and Carlin Otto  
Production by Cindy Stief  
Engineering contributions by Ken Powell.

---

## © Copyright 1996-1997, Silicon Graphics, Inc.— All Rights Reserved

This document contains proprietary and confidential information of Silicon Graphics, Inc. The contents of this document may not be disclosed to third parties, copied, or duplicated in any form, in whole or in part, without the prior written permission of Silicon Graphics, Inc.

### Restricted Rights Legend

Use, duplication, or disclosure of the technical data contained in this document by the Government is subject to restrictions as set forth in subdivision (c) (1) (ii) of the Rights in Technical Data and Computer Software clause at DFARS 52.227-7013 and/or in similar or successor clauses in the FAR, or in the DOD or NASA FAR Supplement. Unpublished rights reserved under the Copyright Laws of the United States. Contractor/manufacturer is Silicon Graphics, Inc., 2011 N. Shoreline Blvd., Mountain View, CA 94043-1389.

Silicon Graphics, the Silicon Graphics logo, and IRIS are registered trademarks, and IRIX, XIO, S2MP, Origin, Origin2000, and Onyx2 are trademarks of Silicon Graphics, Inc.

### FCC Warning

This equipment has been tested and found compliant with the limits for a Class A digital device, pursuant to Part 15 of the FCC rules. These limits are designed to provide reasonable protection against harmful interference when the equipment is operated in a commercial environment. This equipment generates, uses, and can radiate radio frequency energy and if not installed and used in accordance with the instructions in this manual, may cause harmful interference to radio communications. Changes or modification to this product not expressly approved by the party responsible for compliance could void the user's authority to operate the equipment. Operation of this equipment in a residential area is likely to cause harmful interference, in which case users will be required to correct the interference at their own expense.

You may find the following booklet, prepared by the Federal Communications Commission of the United States of America, helpful: *Interference Handbook 1993 Edition*. This booklet is available from the U.S. Government Printing Office, Superintendent of Documents, Mail Stop: SSOP, Washington D.C. 20402-9328, ISBN 0-16-041736-8.

### Canadian Department of Communications Statement

This digital apparatus does not exceed the Class A limits for radio noise emissions from digital apparatus as set out in the Radio Interference Regulations of the Canadian Department of Communications.

### Attention

Le présent appareil numérique n'émet pas de perturbations radioélectriques dépassant les normes applicables aux appareils numériques de Classe A prescrites dans le Règlement sur les interférences radioélectriques établi par le Ministère des Communications du Canada.

## Manufacturer's Regulatory Declarations

This device conforms to several national and international specifications and European directives as listed on the "Manufacturer's Declaration of Conformity," which is included with each computer system and peripheral. The CE insignia displayed on each device is an indication of conformity to the European requirements.

This device has several governmental and third-party approvals, licenses, and permits. Do not modify this product in any way that is not expressly approved by Silicon Graphics, Inc. If you do, the customer may lose these approvals and their governmental agency's permission to operate this device.



この装置は、第一種情報装置（商工業地域において使用されるべき情報装置）で商工業地域での電波障害防止を目的とした情報処理装置等電波障害自主規制協議会（VCCI）基準に適合しております。

従って、住宅地域またはその隣接した地域で使用すると、ラジオ、テレビジョン受信機等に受信障害を与えることがあります。

取扱説明書に従って正しい取り扱いをして下さい。



# Contents

<b>About This Document .....</b>	<b>xi</b>
<b>1. Overview and Care of the Board .....</b>	<b>1-1</b>
1.1 Introduction to XIO Boards .....	1-1
1.1.1 General Overview of XIO Boards .....	1-1
1.1.2 Hook Actuator .....	1-2
1.1.3 Caring for the Compression Connector .....	1-3
1.1.3.1 Guidelines for Storing and Handling the Compression Connector on an XIO Board .....	1-4
1.1.3.2 Guidelines for Cleaning the Compression Connector on an XIO Board .....	1-4
1.2 Overview of HIPPI-Serial XIO Board .....	1-5
1.2.1 Block Diagram of IRIS HIPPI-Serial Board .....	1-5
1.2.2 Electrostatic Discharge .....	1-7
1.2.3 Site Cabling .....	1-8
1.2.3.1 Cable Requirements .....	1-8
1.2.3.2 Cable Care and Cleaning .....	1-10
1.2.3.3 Cable Verification .....	1-10
1.2.4 Maximum Number of IRIS HIPPI-Serial Boards .....	1-10
1.2.5 Power Requirements .....	1-11
1.2.6 Panel Plate and LED Behavior .....	1-11
<b>2. Installation Instructions for Origin2000 Deskside .....</b>	<b>2-1</b>
2.1 Verify All Parts Are Available .....	2-1
2.2 Know How to Avoid Damaging the Board .....	2-1
2.3 Install and Configure IRIS HIPPI Software .....	2-2
2.4 Make System Safe .....	2-2
2.5 Select and Prepare Slot .....	2-3
2.6 Install IRIS HIPPI-Serial XIO Board .....	2-6
2.7 Attach HIPPI Cables .....	2-8
2.8 Finish .....	2-8

<b>3.</b>	<b>Installation Instructions for Onyx2 Deskside .....</b>	<b>3-1</b>
3.1	Verify All Parts Are Available .....	3-1
3.2	Know How to Avoid Damaging the Board .....	3-1
3.3	Install and Configure IRIS HIPPI Software.....	3-2
3.4	Make System Safe .....	3-2
3.5	Select and Prepare Slot.....	3-3
3.6	Install IRIS HIPPI-Serial XIO Board .....	3-6
3.7	Attach HIPPI Cables.....	3-8
3.8	Finish.....	3-8
<b>4.</b>	<b>Installation Instructions for Origin2000 and Onyx2 Rackmount.....</b>	<b>4-1</b>
4.1	Verify All Parts Are Available .....	4-1
4.2	Know How to Avoid Damaging the Board .....	4-1
4.3	Install and Configure IRIS HIPPI Software.....	4-2
4.4	Select a Slot for the Board .....	4-2
4.5	Make System Safe and Prepare for the Installation .....	4-4
4.6	Install IRIS HIPPI-Serial XIO Board .....	4-7
4.7	Attach HIPPI Cables.....	4-10
4.8	Finish.....	4-12

## Figures

<b>Figure 1-1</b>	Generic XIO Board .....	1-2
<b>Figure 1-2</b>	The Compression Connector Used on XIO Boards.....	1-3
<b>Figure 1-3</b>	Position for Dry Compressed Air Can When Cleaning Compression Connector.....	1-5
<b>Figure 1-4</b>	Block Diagram of HIPPI-Serial XIO Board.....	1-6
<b>Figure 1-5</b>	Components on HIPPI-Serial XIO Board .....	1-7
<b>Figure 1-6</b>	Data Direction Used in Dual-SC Receptacle on IRIS HIPPI-Serial XIO Board.....	1-9
<b>Figure 1-7</b>	Panel Plate and LEDs for IRIS HIPPI-Serial XIO Board .....	1-11
<b>Figure 1-8</b>	LED Behavior During Normal Operation.....	1-12
<b>Figure 2-1</b>	Rear of Origin2000 Deskside .....	2-4
<b>Figure 2-2</b>	I/O Items in the Origin2000 Deskside Chassis.....	2-5
<b>Figure 2-3</b>	Removing the Protective Cap from the Compression Connector .....	2-6
<b>Figure 2-4</b>	Proper Orientation for XIO Boards in Origin2000 Deskside Slots.....	2-7
<b>Figure 3-1</b>	Rear of Onyx2 Deskside .....	3-4
<b>Figure 3-2</b>	XIO Items in Onyx2 Deskside .....	3-5
<b>Figure 3-3</b>	Removing the Protective Cap from the Compression Connector .....	3-6
<b>Figure 3-4</b>	Proper Orientation for XIO Boards in Onyx2 Deskside Slots.....	3-7
<b>Figure 4-1</b>	I/O Items in One Processor Module (Chassis) of an Origin2000 or Onyx2 Rackmount .....	4-3
<b>Figure 4-2</b>	Rear of an Origin2000 Rackmount .....	4-5
<b>Figure 4-3</b>	Rear of an Onyx2 Rackmount .....	4-6
<b>Figure 4-4</b>	Removing the Protective Cap from the Compression Connector .....	4-8
<b>Figure 4-5</b>	Proper Orientation for XIO Boards in Slots .....	4-9
<b>Figure 4-6</b>	XIO Cable Management Box .....	4-10
<b>Figure 4-7</b>	Door Operation for XIO Cable Management Box.....	4-11



## Tables

<b>Table 1-1</b>	Specifications and Limits for HIPPI-Serial Optics .....	1-8
<b>Table 1-2</b>	Fiber Plant's Optical Power Budget for HIPPI-Serial .....	1-9
<b>Table 1-3</b>	Maximum Number of Boards That Can Be Installed .....	1-11
<b>Table 1-4</b>	Power and Current Specification for IRIS HIPPI-Serial XIO Board .....	1-11
<b>Table 1-5</b>	Normal Operation LED Behavior for IRIS HIPPI-Serial XIO Board .....	1-12
<b>Table 1-6</b>	Error Operation LED Behavior for IRIS HIPPI-Serial XIO Board .....	1-13
<b>Table 2-1</b>	Component List for IRIS HIPPI-Serial XIO Board .....	2-1
<b>Table 3-1</b>	Component List for IRIS HIPPI-Serial XIO Board .....	3-1
<b>Table 4-1</b>	Component List for IRIS HIPPI-Serial XIO Board .....	4-1
<b>Table 4-2</b>	Rackmount Slot Selection Rules for the IRIS HIPPI-Serial XIO Board .....	4-2



## About This Document

This guide provides instructions for installing the IRIS® HIPPI-Serial XIO™ Board. Each chapter describes the installation steps for a different Silicon Graphics® chassis: Origin2000™ Deskside, Onyx2™ Deskside, and Origin2000 and Onyx2 Rackmount.

**Note:** These instructions are written for system service engineers (SSEs) who have been trained by Silicon Graphics (SGI). The information in this document should not be copied. The information should not be shown to people who do not work for SGI.

The IRIS HIPPI-Serial XIO board provides a native, serial High Performance Parallel Interface (HIPPI-Serial) connection for a Silicon Graphics host based on the S2MP™ architecture. Each data flow (direction) of the dual-simplex connection operates at 800 megabits per second over fiber-optic cable using short-wavelength optics. The IRIS HIPPI software that accompanies this board is described in the online *IRIS HIPPI Administrator's Guide*. Applications can use the services of the IRIS HIPPI-Serial board via the standard IP network-layer interface or through the board's application programming interface (API), which is described in the online *IRIS HIPPI API Programmer's Guide*. The IRIS HIPPI API provides raw data exchange (direct access to and control of the HIPPI physical layer) or packetized data exchange (access at the HIPPI framing protocol layer).

In order to function, the IRIS HIPPI-Serial XIO Board must be connected to a port on either a HIPPI switch or an endpoint that supports HIPPI-Serial and appropriate multi-mode fiber-optic cabling. The end of the cable for the IRIS HIPPI-Serial board's I/O panel plate must be terminated with a dual-SC connector. Cabling and switches are not included with the product and are the customer's responsibility. Site cabling requirements are described in "Site Cabling" in Chapter 1 of this document.



## Overview and Care of the Board

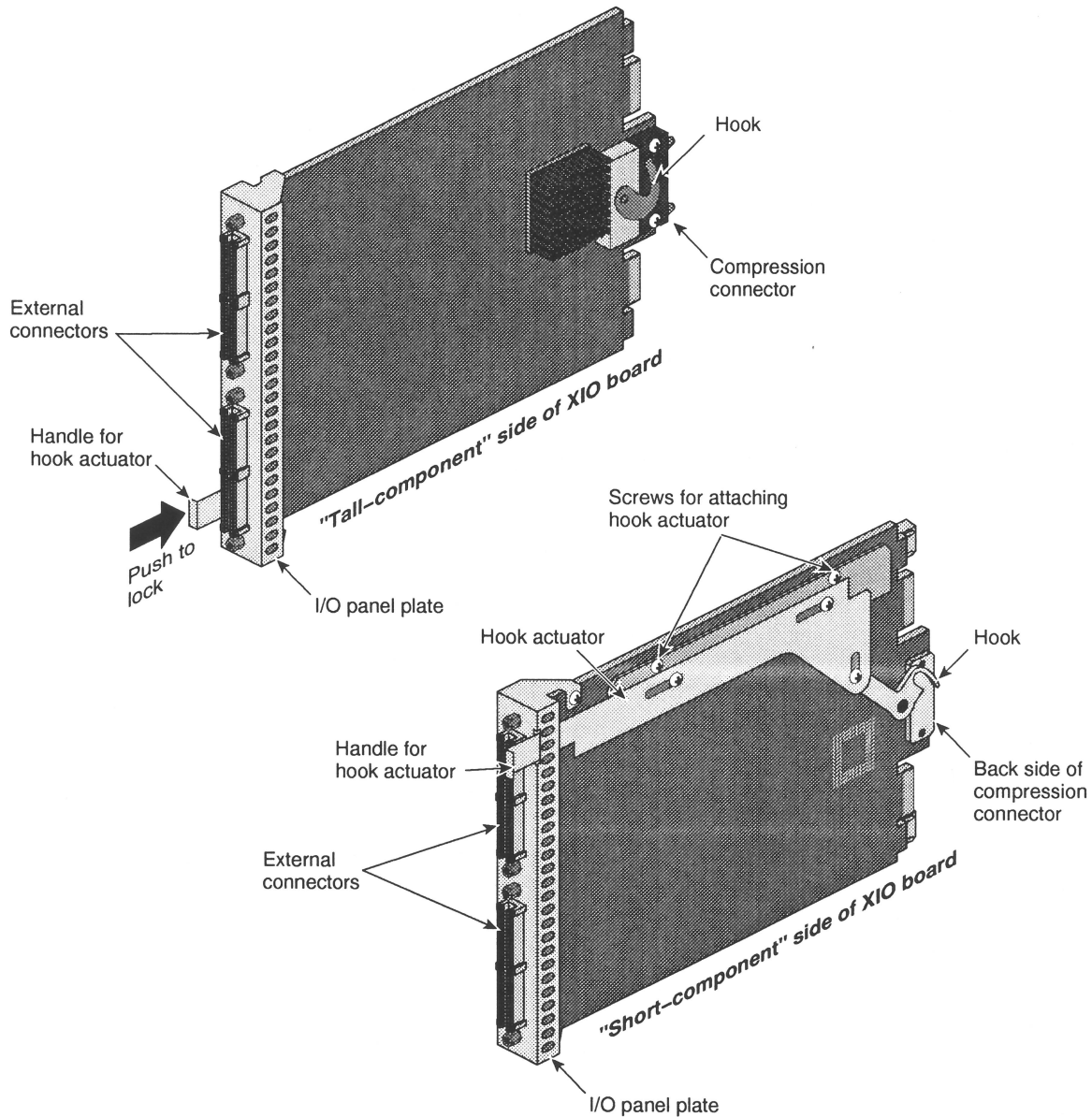
### 1.1 Introduction to XIO Boards

#### 1.1.1 General Overview of XIO Boards

XIO boards are optional products for Silicon Graphics platforms based on the scalable shared-memory multi-processing (S2MP) architecture. XIO boards install into the XIO slots of Origin2000 and Onyx2 systems. Each active XIO slot provides up to 800 megabytes per second of bi-directional bandwidth (that is, 400 megabytes in each direction) through a crossbar switch that is located on the system's midplane or frontplane. Specific XIO products may use a portion or all of this available bandwidth. All the XIO slots in a system can be active simultaneously. For more details on how XIO slots fit into the rest of the system, see *Origin2000 Deskside and Rackmount Installation Instructions* and *Onyx2 Deskside and Rackmount Installation Instructions*.

Every XIO board has the following items (illustrated in Figure 1-1):

compression connector	This connector provides communication between the board and the system via the midplane or frontplane.
2 hooks on connector	Hooks hold the compression connector securely to midplane or frontplane. There is one hook on each side of the compression connector.
hook actuator	Device for moving compression connector hooks into and out of their locked position on the midplane.
screw holes	Holes for attaching a hook actuator to the board.
panel plate	Provides cutouts for external cables and light-emitting diodes (LEDs).
tall-component side	The surface of the board that has the compression connector and the tallest components.
short-component side	The side of the board with only low-profile components.



**Figure 1-1** Generic XIO Board

### 1.1.2 Hook Actuator

For an XIO board to function, its compression connector must be locked tightly to a mate (other half) on the midplane or frontplane, inside the chassis. The hook actuator is designed to do this.

Each XIO board has 2 hooks (one on each side of the compression connector). A hook actuator presses against one of the hooks, thus moving the hooks into and out of their locked position. The design of the hook actuator is different for different platforms.

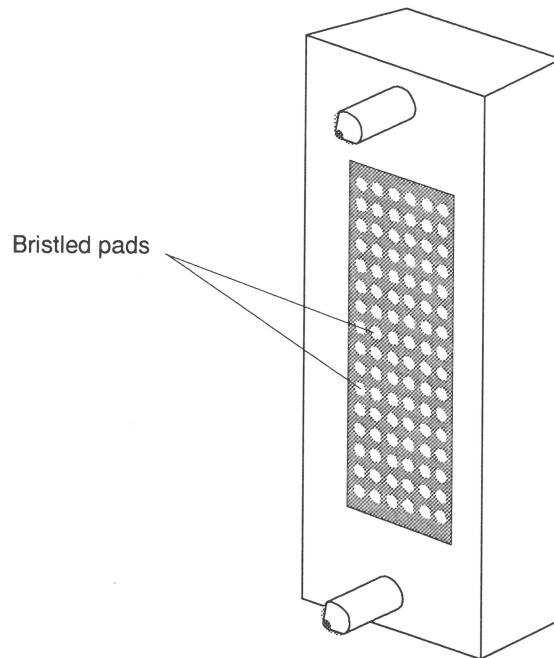
For the Origin2000 and Onyx2 platforms, the hook actuator consists of a horizontally sliding lever and a handle; each type of XIO board may have a unique design for its lever and handle. Figure 1-1 shows one design. These hook actuators are screwed onto the XIO board and attached to one of the hooks, as illustrated in Figure 1-1.

The method of operation is the same for all level and handle designs, as described below:

- Pushing the handle locks the hooks and seats the compression connector to the midplane.
- Pulling the handle releases the hooks, in preparation for removing the board.

### 1.1.3 Caring for the Compression Connector

The compression connector used for XIO boards has 96 pads that enable passage of signals between the system (via the midplane) and the XIO board. This compression connector has 2 halves: one half is physically located on the XIO board (illustrated in Figure 1-2); the other half is on the midplane of the chassis. Each pad on a midplane connector is a flat, gold-plated surface. Each pad on an XIO board connector is composed of hundreds of tiny bristles (dendrites). When a bristled pad is pressed into a gold-plated pad, a connection is created for one signal.



**Figure 1-2** The Compression Connector Used on XIO Boards

The bristled pads are capable of attracting and holding dust, lint, grease, powder, and dirt. The presence of these substances clogs or damages the bristles and prevents them from making proper contact with the gold-plated pads on the system's midplane. It is important to prevent this from occurring. Section 1.1.3.1 explains how to keep the compression connector bristles clean; Section 1.1.3.2 explains how to clean them, in the event they become dirty.

### 1.1.3.1 Guidelines for Storing and Handling the Compression Connector on an XIO Board

To avoid damaging an XIO board's compression connector and to keep it in optimal working condition, follow these guidelines whenever the board is not installed:

**Caution:** Failure to follow these instructions can result in irreparable damage to the surface of the connector's pads which may result in intermittent or complete failure of the product.

- Do not wipe or touch the pads of the compression connector with anything (no human fingers, no brushes, no cloth, no probes), except as specified in the cleaning instructions. The bristles might be damaged.
- Whenever the board is not in an XIO slot, put the protective cap over the compression connector and store the board in an antistatic bag. Make sure to close (fold over) the open end of the bag in order to minimize exposure to dust and atmospheric gases.
- Do not put anything (not even water) onto the pads, except as specified in the cleaning instructions.
- Before laying the board down onto a surface, make sure that the surface is free of dust, lint, powder, metal filings, oil, water, etc.
- Do not blow dust, dirt, or powder anywhere near the board when it is not inside its protective bag.

### 1.1.3.2 Guidelines for Cleaning the Compression Connector on an XIO Board

A compression connector should never need to be cleaned, if you keep the protective cover on whenever the XIO board is not installed. However, if the connector becomes dirty, follow the instructions below for removing pollutants.

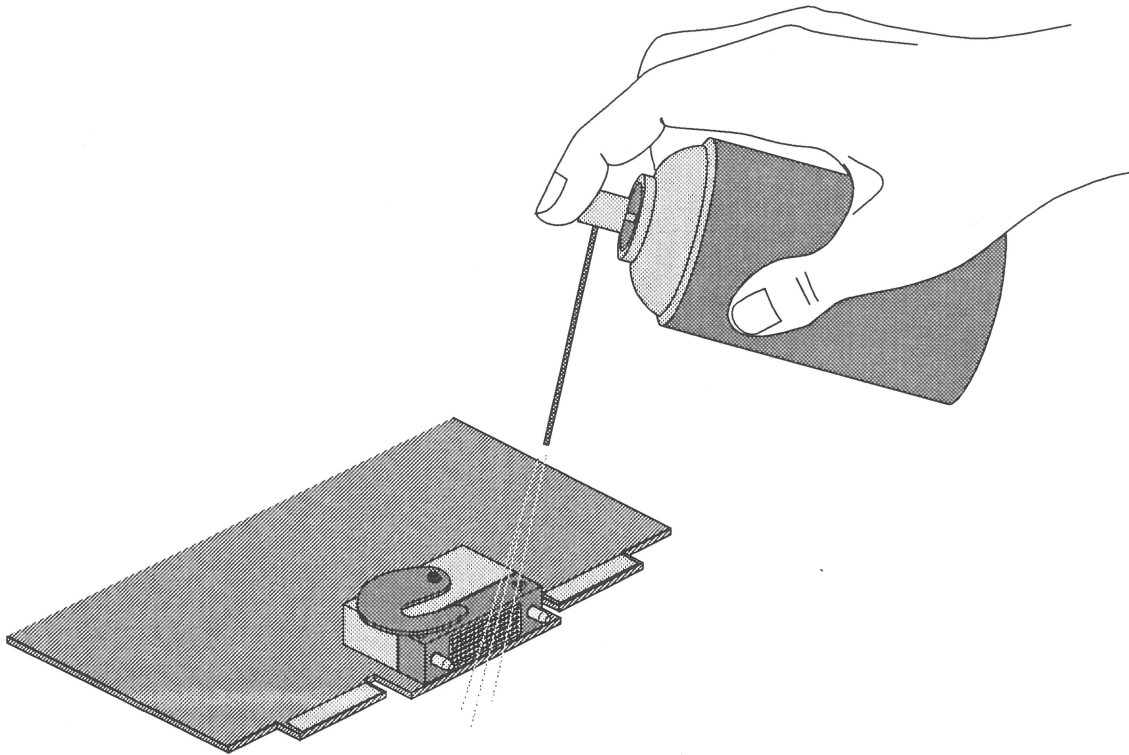
**Note:** Some pollutants can irreversibly damage (corrode or chemically alter) the pad surfaces. Although cleaning may remove the pollutant, it will not repair damage incurred by this contact.

To remove pollutants, follow these instructions:

1. Obtain a can of dry, compressed air or inert gas (for example, 100% pure nitrogen).

**Warning:** Do not use a cleaning product that contains any of the following ingredients: halogenated hydrocarbons, aromatic hydrocarbons, ethers, sulphur, ketones, or solvents of any kind. These substances will cause irreparable damage to the connector's surface.

2. Prepare the can for use, as instructed on the can. For example, if provided, attach the tube to the can's dispensing mechanism.
3. Hold the can so that the tip of the applicator is 1 to 2 inches away from the first row of pads at the topmost edge of the connector (as illustrated in Figure 1-3) and at a slight angle so that the spray hits each pad and flows downward. You will be spraying at the pads on one row but in the direction of the next row of pads. Do not allow the applicator to touch the pads.



**Figure 1-3** Position for Dry Compressed Air Can When Cleaning Compression Connector

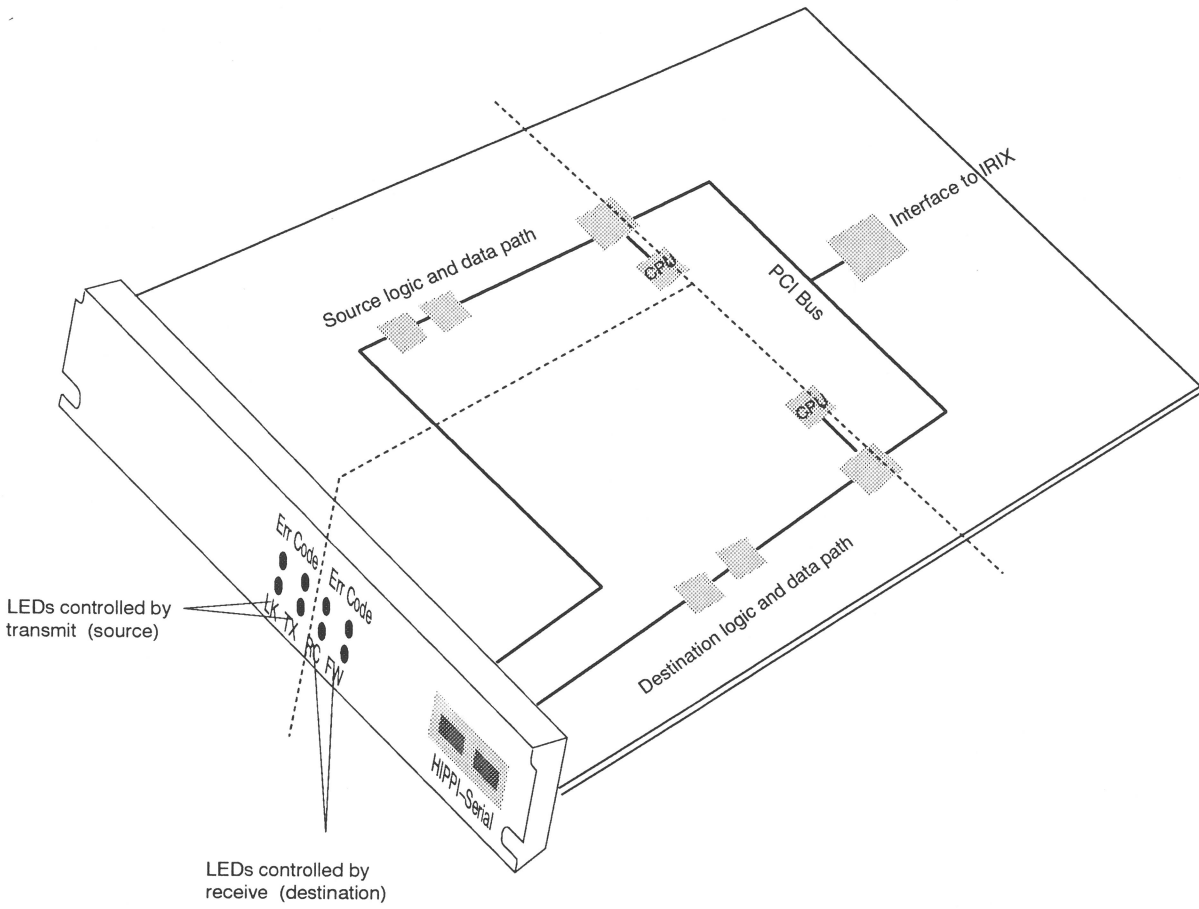
4. Start spraying. As you spray, move the spray along the side of the connector until the entire first row has been sprayed. Move down (to the next row or set of rows). Repeat.
5. Repeat until all the pads have been sprayed.

## 1.2 Overview of HIPPI-Serial XIO Board

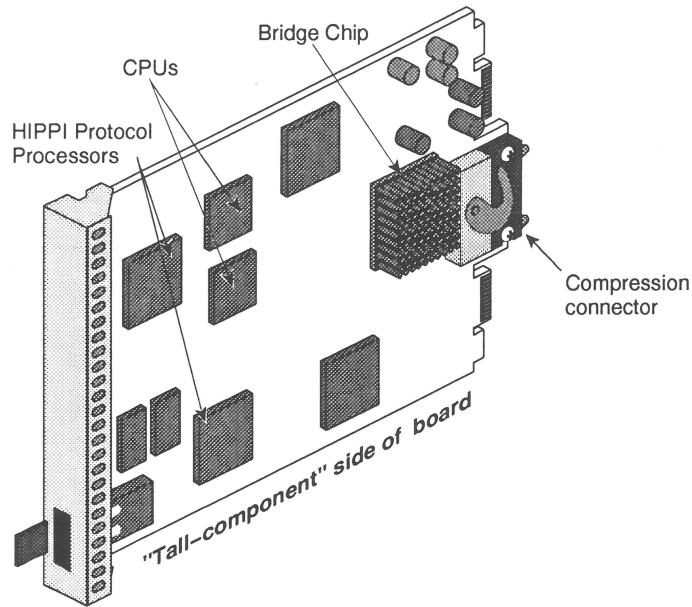
This section describes the IRIS HIPPI-Serial XIO board.

### 1.2.1 Block Diagram of IRIS HIPPI-Serial Board

This board implements 32-bit, fiber optic based HIPPI-Serial, providing bandwidth of 800 megabits per second in each direction. Each data path (destination and source) has its own logic that includes FLASH EEPROM, LEDs, a CPU for handling host-board direct memory accesses (DMA), a HIPPI protocol processor, memory, a component for serializing/deserializing the data, and an optical data link (ODL). The Bridge Chip translates between the system's Crosstalk™ protocol and the onboard PCI bus. Figure 1-4 illustrates a rough block diagram of the board, while Figure 1-5 points out the locations of major components. This board has logic and memory components on both its sides.



**Figure 1-4** Block Diagram of HIPPI-Serial XIO Board



**Figure 1-5** Components on HIPPI-Serial XIO Board

## 1.2.2 Electrostatic Discharge

The IRIS HIPPI-Serial XIO board is extremely sensitive to damage from electrostatic discharge (ESD) caused by the buildup of electrical potential on clothing and other materials.

**Caution:** Exposure to ESD may irreparably damage the IRIS HIPPI-Serial XIO board.

Follow these standard ESD preventive measures:

- Attach a ground strap to your wrist and to a grounded connection when installing, removing, or handling this board.
- Ensure that you and all electrical equipment that you handle during this installation are at ground potential to avoid damage from ESD.
- Until it is needed, keep the board in its antistatic bag.
- Remove the board from its antistatic bag only when you are properly grounded to the chassis ground with a ground strap.
- Place the board only on an antistatic surface. For example, you may place it on top of the antistatic bag in which the board is shipped.
- When installing/removing this board, do not disconnect the power cord from the chassis. You will lose the system ground and could damage the equipment.

Follow these board-specific ESD preventive measures:

- Avoid touching the SRAM, CPU, and HIPPI protocol-processing components on this board. They are highly sensitive to damage from ESD.
- Do not use an ohmmeter or digital voltmeter on this board.

### 1.2.3 Site Cabling

This section covers the description, the care, and the cleaning of external cables for the IRIS HIPPI-Serial XIO board.

#### 1.2.3.1 Cable Requirements

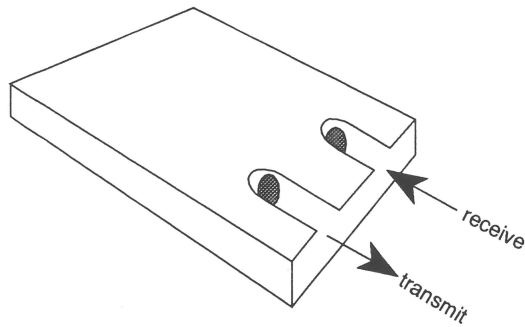
To activate HIPPI functionality, the IRIS HIPPI port must be connected to a HIPPI switch, to a HIPPI-Serial endpoint (another host), or have a loopback device installed. For attachment to a HIPPI switch or endpoint, the IRIS HIPPI-Serial XIO board provides one dual-SC receptacle at the board's I/O panel plate. The board uses short wavelength optics (770-860nm) and supports multimode cable of either 50 micron core (up to 500 meters in length) or 62.5 micron core (up to 200 meters). Figure 1-6 illustrates the data direction used in the board's dual-SC receptacle. The site's connectors, splices, cabling, and installation of the cabling must conform to and should follow the guidelines specified in the physical layer specification for HIPPI-Serial, as described in the *High-Performance Parallel Interface - Serial Specification*, version 2.6, especially annex B "Additional Optical Information" and section 8, "Serial Optical Interface." Table 1-1 and Table 1-2 summarize some of the relevant guidelines from this specification. To meet these specifications you should use high quality connectors rated at 0.5 or 0.4 dB maximum insertion loss with  $\geq 20$ dB discrete return loss.

**Table 1-1** Specifications and Limits for HIPPI-Serial Optics

Item	Value for 50 micron cable	Value for 62.5 micron cable
Cable		
minimum bandwidth at 780 nm	500 MHz•km	160 MHz•km
maximum loss	4 dB/km	4 dB/km
Connectors		
maximum number between 2 nodes	8	8
mean loss per unit	$\leq 0.11$ dB	$\leq 0.11$ dB
standard deviation loss per unit	0.15 dB	0.15 dB
minimum optical return loss	20 dB	20 dB
Splices		
maximum number between 2 nodes	6	6
mean loss per unit	$\leq 0.08$ dB	$\leq 0.08$ dB
standard deviation loss per unit	0.05 dB	0.05 dB

**Table 1-2** Fiber Plant's Optical Power Budget for HIPPI-Serial

Math	Item	Value for 50 micron cable	Value for 62.5 micron cable
start with	minimum laser launch power	- 10 dBm	- 10 dBm
subtract	maximum optical fiber loss for maximum length cable at 4 dB/km	+ 2.0 dB	+ 0.8 dB
subtract	mean connector loss (8 * 0.11)	n.a.	+ 0.9 dB
subtract	mean splice loss (6 * 0.08)	n.a.	+ 0.5 dB
subtract	3 $\sigma$ loss	n.a.	+ 1.4 dB
subtract	mean and 3 $\sigma$ loss available for splices and connectors	+ 2.0 Db	n.a.
subtract	optical receiver sensitivity	- 16 dBm	- 16 dBm
result	minimum unallocated for margin and penalties	= +2.0dB	= +2.4 dB



**Figure 1-6** Data Direction Used in Dual-SC Receptacle on IRIS HIPPI-Serial XIO Board

External 62.5 micron fiber-optic cables, in various lengths, for the ports on the IRIS HIPPI-Serial XIO board can be ordered directly from Silicon Graphics, using the part numbers listed below. Except for the loopback test cable assembly, these cable assemblies are terminated with dual-SC connectors on both ends. Have the customer contact their local sales representative. Alternatively, cables can be purchased from any reputable fiber-optic cable vendor.

018-0656-001	X-F-OPT-3M	3-Meter Fiber Optic Cable Assembly
018-0656-101	X-F-OPT-10M	10-Meter Fiber Optic Cable Assembly
018-0656-201	X-F-OPT-25M	25-Meter Fiber Optic Cable Assembly
018-0656-301	X-F-OPT-100M	100-Meter Fiber Optic Cable Assembly
018-0664-001	X-F-OPT-LOOP	Optic Loopback Cable Assembly

### 1.2.3.2 Cable Care and Cleaning

When handling or cleaning fiber-optic cables, follow these guidelines:

1. Do not bend fiber-optic cable into any shape that involves a radius less than 4 inches. The material can fracture or break.
2. Do not step on, strike, or drop anything onto fiber-optic cables. The material inside can fracture or break.
3. Do not expose the cable ends to pollutants, such as dust, lint, grease, or liquids that leave residue (such as rubbing alcohol). Performance of the fiber-optic cable degrades seriously due to pollutants.
  - Do not touch the fiber-optic material that is exposed at the ends of cables with fingers, paper tissues or cloth that can leave lint, or anything abrasive.
  - Do not leave cable ends or panel-plate receptacles uncapped or unattached.
  - Do not try to clean fiber-optic material except as described below.
  - Do not blow on the fiber-optic material with anything except dry, compressed inert gas (for example, 100% pure nitrogen).
4. To clean a fiber-optic cable, gently rub the tip of the fiber-optic material with a soft, lint-free cloth that has been moistened with reagent grade isopropyl alcohol (isopropanol 92%), then let the tip dry completely.

**Note:** Do not use prepared cleaning compounds, such as tape-head cleaner or denatured (rubbing) alcohol.

To dry the liquid from fiber-optic material, you can fan ambient air over the end of the cable or blow it with a can of dry, compressed inert gas (for example, 100% pure nitrogen).

**Note:** Do not blow on the fibers with your mouth.

### 1.2.3.3 Cable Verification

If you suspect that a fiber-optic cable is faulty, an optical time domain reflectometer (OTDR) is needed to accurately measure whether the optical signal that passes through a section of optical fiber is strong enough and clear enough to be interpreted accurately by the receiver.

## 1.2.4 Maximum Number of IRIS HIPPI-Serial Boards

The maximum number of IRIS HIPPI-Serial XIO boards that can be installed into the different chassis and systems is summarized in Table 1-3. For installations that require full utilization of throughput on each HIPPI-Serial port, no more than 3 HIPPI-Serial boards can be installed within each set (that is, 1-6 or 7-12) of XIO slots. For configurations other than those described here, contact Silicon Graphics for details.

**Table 1-3** Maximum Number of Boards That Can Be Installed

Platform	Maximum Boards Per Chassis	Per Fabric of 2 or More Interconnected Chassis
Origin2000 Deskside:		interconnection is not supported
220 V, node boards in at least N1 and N2	6 (3 in slots 1-6, 3 in slots 7-12)	
220 V, node board in N1 only	3	
110 V, node boards in N1 and N2 only	3 (in any slot)	
110 V, node board in N1 only	3	
Onyx2 Deskside	3	interconnection is not supported
Origin2000 Rackmount	12 (6 in each module)	16
Onyx2 Rackmount	6	16

**Note:** A “fabric” is 2 or more chassis (that is, modules) that are interconnected with CrayLink Interconnect™ cables to form a single memory space.

### 1.2.5 Power Requirements

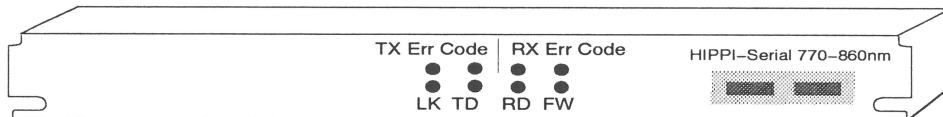
Table 1-4 summarizes the HIPPI-Serial XIO board’s power consumption.

**Table 1-4** Power and Current Specification for IRIS HIPPI-Serial XIO Board

Usage	Specification
Nominal power usage	33 watts
Maximum power usage	38 watts
Maximum current consumption	5 volts at 4.0 amps, and 3.45 volts at 4.4 amps

### 1.2.6 Panel Plate and LED Behavior

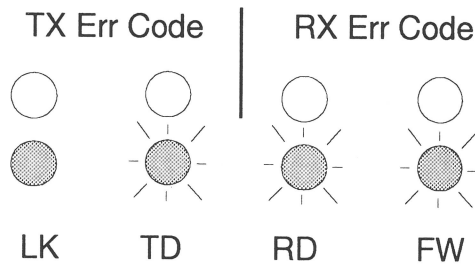
The panel plate has 1 HIPPI-Serial port labeled with the optic wavelengths supported. For systems with multiple HIPPI boards, sticky labels can be placed on the panels to indicate the network interface that has been assigned to each port.



**Figure 1-7** Panel Plate and LEDs for IRIS HIPPI-Serial XIO Board

The LEDs are labeled by the text above and below: **LK** (link), **TD** (transmit data), **RD** (receive data), and **FW** (firmware) label the green LEDs, **TX Error Code** labels 2 of the yellow LEDs, and **RX Error Code** labels the other 2 yellow LEDs. The behavior of the LEDs is controlled by firmware in the R4640 processors.

When the yellow (error code) LEDs are all OFF, the board is experiencing normal operation. The behavior of each LED during normal operation is described in Table 1-5; Figure 1-8 illustrates the normal LED behavior. When one or more of the yellow (error code) LEDs is ON or BLINKING, the board is experiencing an error.



**Figure 1-8** LED Behavior During Normal Operation

**Table 1-5** Normal Operation LED Behavior for IRIS HIPPI-Serial XIO Board

LED	Name / Color	Description
LK	LINK present	LK = steadily OFF: board's destination logic is not able to lock (synchronize) with or correctly interpret one or more of the following inbound signals: fiber signal is detected (LINK is present), the HIPPI logic is in its operational state (in link state 2), the alternating Flag bit within the data frame is correct, and the OH8 (framing) overhead bit from the data stream is correct. A connection may be loose, one of the fiber-optic cable ends may be dirty, or the remote system may be dysfunctional. LK = ON: all the above-listed incoming signals are being detected and interpreted correctly.
TD	Data transmitted	Whenever TD BLINKS: one or more bytes have been transmitted.
RD	Data received	Whenever RD BLINKS: one or more bytes have been received.
FW	Firmware alive/dead	FW = BLINKING slowly: all firmware is running properly. FW = BLINKING very fast: firmware is running properly, but board is operating in internal loopback mode. Do <i>hipcntl shutdown</i> ; <i>hipcntl startup</i> to return board to non-loopback mode. FW = steadily ON or OFF: firmware is not running. To restart firmware, do <i>hipcntl shutdown</i> ; <i>hipcntl startup</i> .
LK+TD+RD+FW	Firmware not initialized / 4 green	All green LEDs = BLINKING: firmware has not yet been initialized by driver. LK = steady ON, and FW = steady BLINKING, and TD+RD = irregular BLINKING: normal operation.

**Table 1-5 (continued)** Normal Operation LED Behavior for IRIS HIPPI-Serial XIO Board

LED	Name / Color	Description
TX Err Code	SRC error code / 2 yellow	Both = OFF: there is no error. One or both = ON or BLINKING: an error exists. See Table 1-6.
RX Err Code	DST error code / 2 yellow	Both = OFF: there is no error. One or both = ON or BLINKING: an error exists. See Table 1-6.

**Table 1-6** Error Operation LED Behavior for IRIS HIPPI-Serial XIO Board

LK	TD	RD	FW	TX Err Code	RX Err Code	Description
OFF	OFF	n.a.	n.a.	Both ON	n.a.	The SRC firmware has stopped because of a failure in the DST firmware. See information in this table about the RD and FW LEDs.
OFF	ON	n.a.	n.a.	Blinking (code)	n.a.	The boot firmware has failed. The blinking pattern of the TX Err Code LEDs indicates the reason for the failure.
ON	ON	n.a.	n.a.	Blinking (code)	n.a.	The SRC firmware has failed. The blinking pattern of the TX Err Code LEDs indicates the reason for the failure.
n.a.	n.a.	OFF	OFF	n.a.	Both ON	The DST firmware has stopped because of a failure in the SRC firmware. See information in this table about the LK and TD LEDs.
n.a.	n.a.	OFF	ON	n.a.	Blinking (code)	The boot firmware has failed. The blinking pattern of the RX Err Code LEDs indicates the reason for the failure.
n.a.	n.a.	ON	ON	n.a.	Blinking (code)	The DST firmware has failed. The blinking pattern of the RX Err Code LEDs indicates the reason for the failure.



## Installation Instructions for Origin2000 Deskside

This chapter describes the steps for installing an IRIS HIPPI-Serial XIO board into a Origin2000 Deskside.

### 2.1 Verify All Parts Are Available

Before starting the installation, open the IRIS HIPPI-Serial XIO Board box and verify that all the components are included. Table 2-1 lists the components.

**Table 2-1** Component List for IRIS HIPPI-Serial XIO Board

Item	Quantity
IRIS HIPPI-Serial XIO Board in antistatic bag	1
IRIS HIPPI software on CD-ROM	1
sheet of sticky labels for panel plate	1

### 2.2 Know How to Avoid Damaging the Board

Before starting the installation of the XIO board, do the following:

1. Know how to care for the compression connector on the board, as described in “Guidelines for Storing and Handling the Compression Connector on an XIO Board” in Chapter 1.
2. Understand the electrostatic discharge avoidance guidelines, as summarized in “Electrostatic Discharge” in Chapter 1.  
**Caution:** The IRIS HIPPI-Serial XIO board has components that are very sensitive to static electricity. This caution is real; it is not just a standard precaution.
3. Know how to safely handle fiber-optic cable, as described in “Cable Care and Cleaning” in Chapter 1.

## 2.3 Install and Configure IRIS HIPPI Software

If your system is currently up and running, save yourself time and extra system reboots, by installing and configuring the IRIS HIPPI software before you install the new board. Follow the instructions below:

1. Verify that the IRIS HIPPI software is installed:

```
% versions hippy
I hippy 01/31/97 HIPPI Software, version
```

If the IRIS HIPPI software is not installed or if the displayed *version* is earlier than 3.0, install it from the CD (or other source).

2. Follow the instructions in Chapter 2 of the *IRIS HIPPI Administrator's Guide* to configure (a) the IRIS HIPPI software (driver and daemons), and optionally, (b) the IP network interfaces for IRIS HIPPI (*hip#*).

## 2.4 Make System Safe

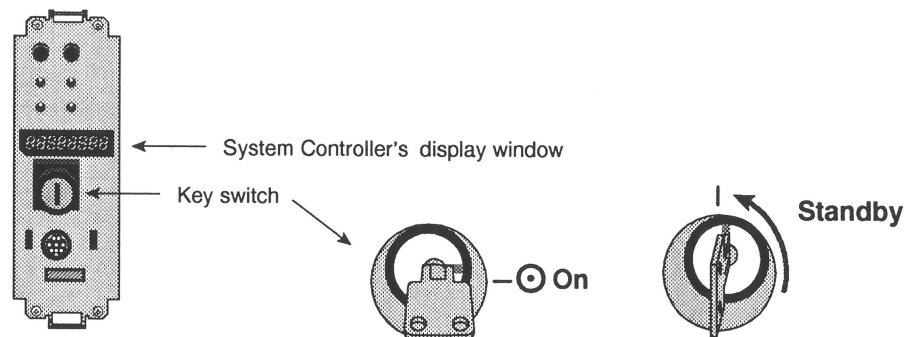
Before starting the installation, follow the instructions in this section to make the system and its surroundings are physically safe.

**Warning:** Failure to follow the instructions in this section can cause serious physical injury or death.

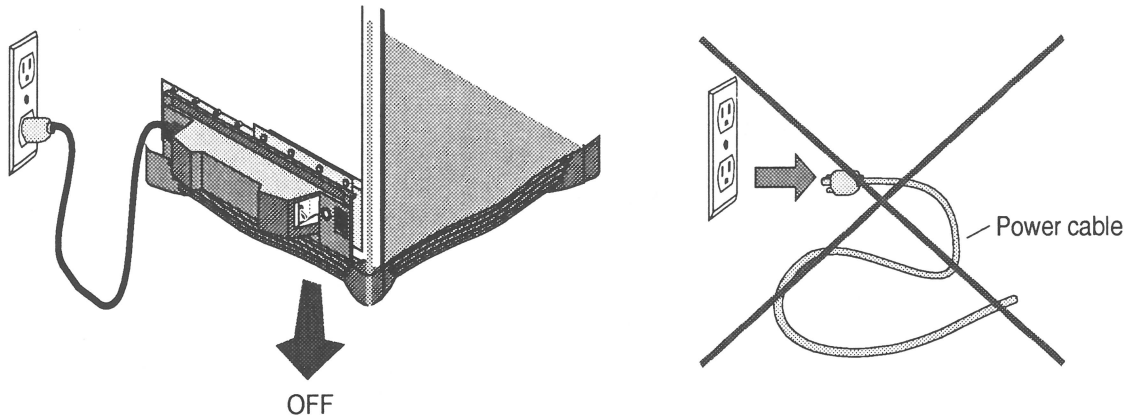
1. Shutdown the system:

```
% su
Password: the_password
# /etc/halt
```

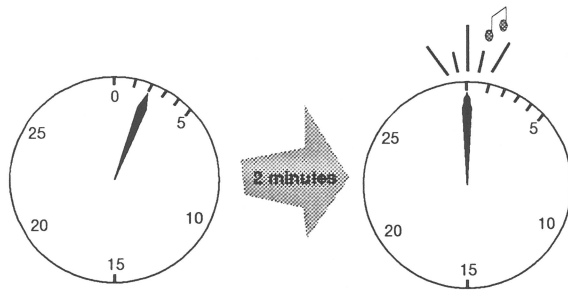
2. When the message appears indicating that it is safe to power down the system, turn the key switch on the System Controller to the STANDBY position.



3. At the rear of the system, flip the power switch (circuit breaker) OFF (down). Do not disconnect the power plug.



4. Wait 2 full minutes (after turning off the power) to allow the system's stored electrical charge to dissipate.



**Warning:** Failure to wait may cause serious injury or death due to electrocution from power stored within the system components.

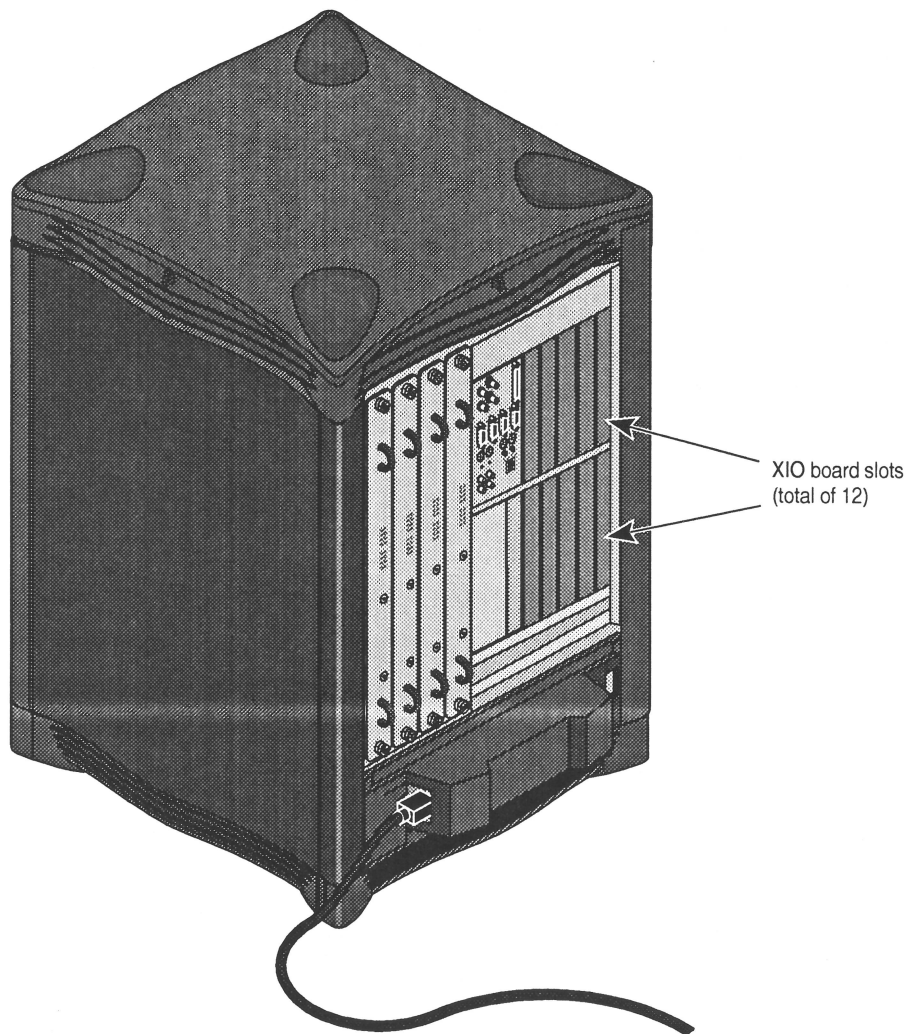
## 2.5 Select and Prepare Slot

Follow the instructions in this section to select an appropriate XIO slot and prepare it for the installation.

1. Determine which XIO slots on the system are usable.

Depending on the power supplied to the system (110 or 220 volts), the number of Node boards, and the number of processors in the system, the count of usable XIO slots can be 6 or 12. Table 1-3 in Chapter 1, the *Origin2000 Deskside Owner's Guide*, and the *Origin2000 Deskside and Rackmount Installation Instructions* provide information that can help you determine which of the slots are activated and which can be used.

**Note:** In general, if an Origin2000 Deskside has a Node board in slot N1 or N3, then XIO slots 1-6 are available. If it has a Node board in slot N2 or N4, XIO slots 7-12 are available. If a chassis has at least two Node boards, one in N1 or N3 and one in N2 or N4, then all 12 XIO slots are available.

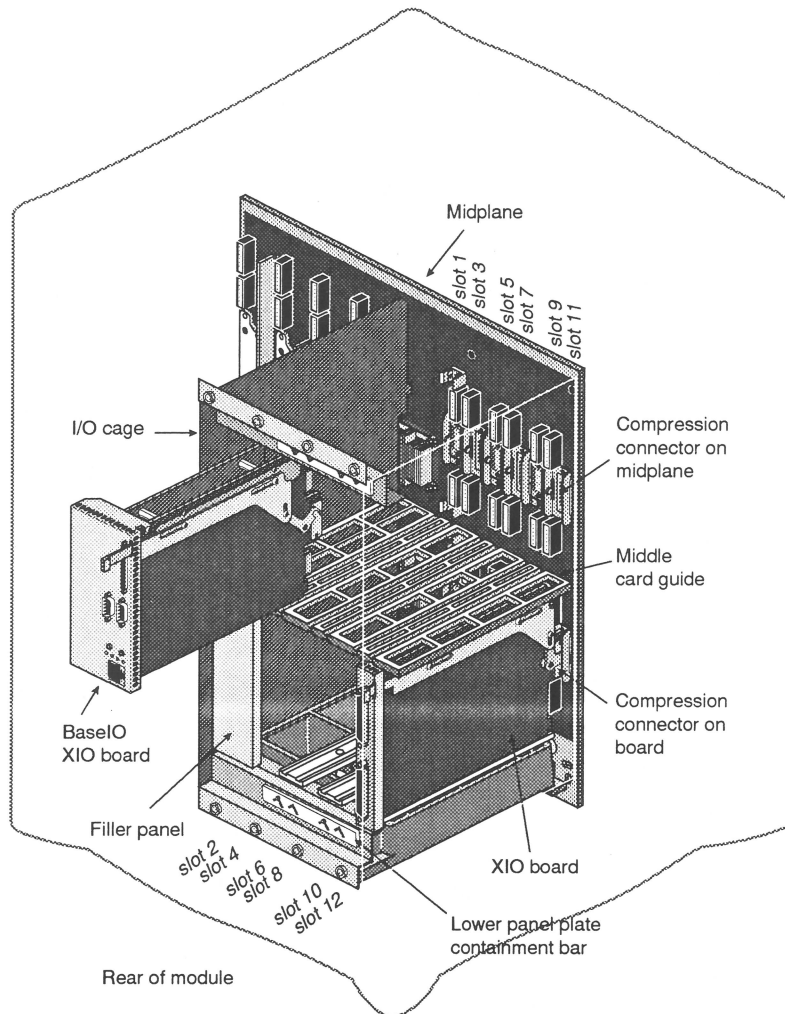


**Figure 2-1** Rear of Origin2000 Deskside

2. Select a slot for the IRIS HIPPI-Serial XIO board.

The IRIS HIPPI-Serial XIO board can be installed into any of the XIO slots, including slots 1 and 2 (illustrated in Figure 2-2) that are designed to accommodate the BaseIO and Internal PCI Adapter options.

In selecting a slot for the IRIS HIPPI-Serial board, it is recommended that you fill available odd-numbered slots before filling even-numbered ones, and that you fill lower-numbered slots before higher-numbered ones. For example, fill slot 3 before filling either slot 2 or slot 5, and fill slot 7 before slot 2.



**Figure 2-2** I/O Items in the Origin2000 Deskside Chassis

3. Ground yourself.

**Caution:** Failure to ground yourself may result in irreparable damage to or malfunction of the IRIS HIPPI-Serial XIO board.

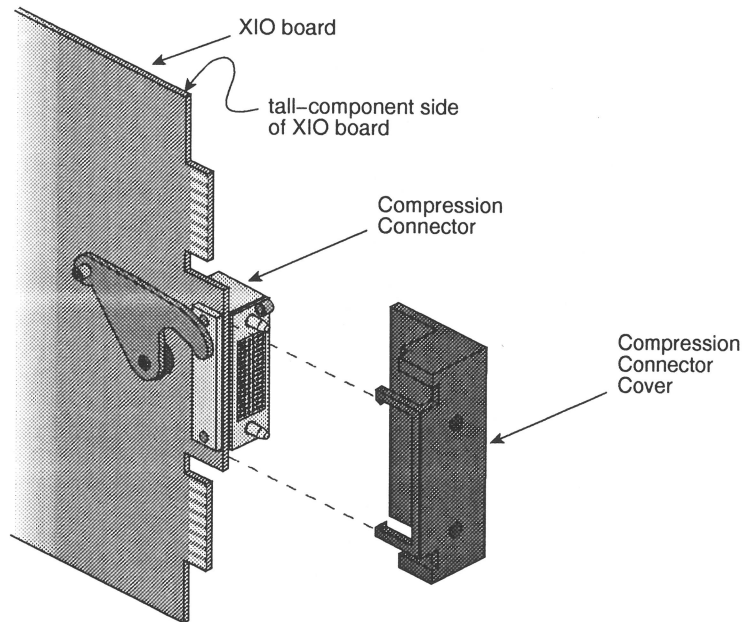
4. Locate the panel plate containment bar (illustrated in Figure 2-2) for the selected slot. For odd-numbered slots the bar is above the panel plates. For even-numbered slots, the bar is below them.
5. Use 4-6 turns to loosen each of the bar's screws.
6. Pop the bar outwards (pull towards you), then slide it away (up or down) from the panel plates. You will need to slide the bar over some rivets. The bar will snap into a holding position so that it stays out of the way.
7. For the selected slot, pull the knob of the blank panel plate to remove the blank XIO board. Store the blank board away.
8. Proceed to the next section, "Install IRIS HIPPI-Serial XIO Board."

## 2.6 Install IRIS HIPPI-Serial XIO Board

This section describes how to install the IRIS HIPPI-Serial board into its XIO slot.

**Caution:** Exposure to electrostatic discharge may irreparably damage the IRIS HIPPI-Serial XIO board.

1. Remove the board from its anti-static bag and place it on top of the bag or on your antistatic work surface.
2. Remove the protective cap from the board's compression connector, as illustrated in Figure 2-3. Save this cap. You will need it to cover the compression connector if you remove the board for any reason.



**Figure 2-3** Removing the Protective Cap from the Compression Connector

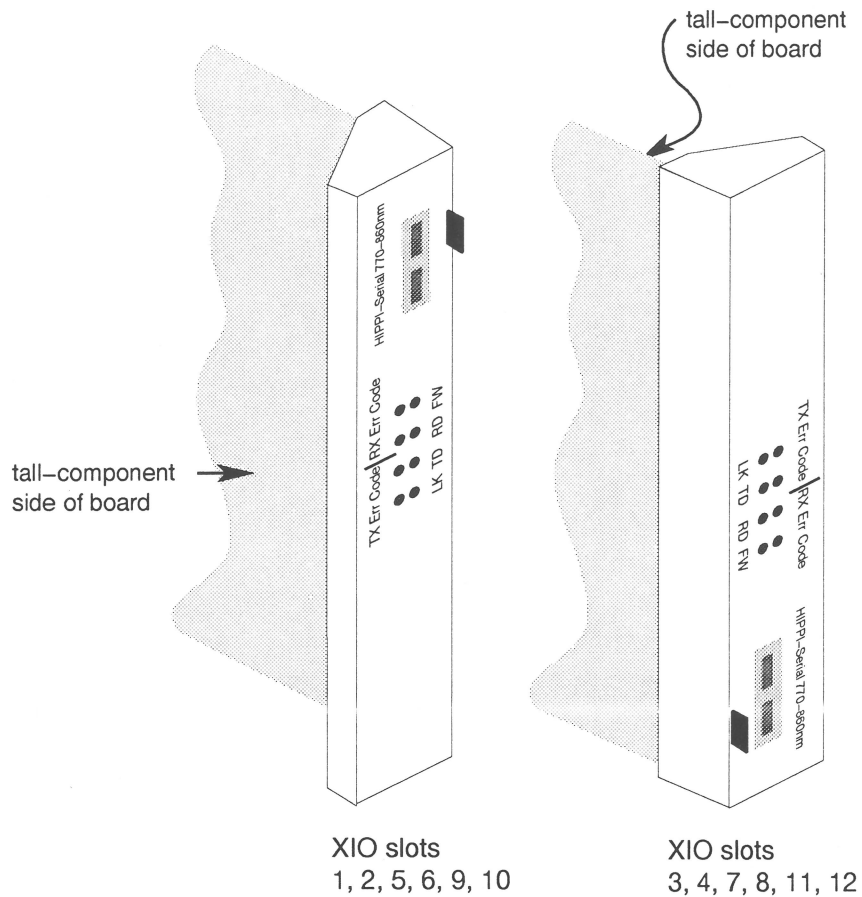
3. Identify the tall-component side of the IRIS HIPPI-Serial XIO board. The tall-component side of the board is the side with the compression connector and the dual-SC receptacle.
4. Hold the board so that it is vertical and correctly oriented for the selected slot, as illustrated in Figure 2-4.

For slots 1, 2, 5, 6, 9, and 10:

the external HIPPI connector on the panel plate is at the top, as illustrated in Figure 2-4.

For slots 3, 4, 7, 8, 11, and 12:

the external HIPPI connector on the panel plate is at the bottom.



**Figure 2-4** Proper Orientation for XIO Boards in Origin2000 Deskside Slots

5. Pull the actuator handle, to open the compression connector hooks.
6. Position the board between the card guides and slide it into the chassis.

**Caution:** Take care that no board components are damaged as you slide the board past other XIO boards in the chassis.

7. Verify that the board's panel plate is flush with the other panel plates. If it is not flush, check that the board is properly positioned between the card guides, then press gently until it is flush.
8. Push the hook actuator handle to lock the board to the midplane.  
Firmly push the handle of the actuator until it stops. Pushing on this handle engages the compression connector's hook with its lock on the midplane.
9. Slide the containment bar back into place so that it holds the panel plates. Tighten its screws.
10. Remove your wrist strap and proceed to "Attach HIPPI Cables."

## 2.7 Attach HIPPI Cables

This section describes the attachment of external HIPPI cables.

1. Locate the site's HIPPI-Serial fiber optic cable for this HIPPI connection.  
**Note:** This external cable is supplied by the customer. External cables and all cabling for the site's HIPPI switch fabric must conform to the HIPPI-Serial specification. See "Site Cabling" in Chapter 1 for complete details.
2. Optional: put labels on the panel plate and cables.
3. Remove the protective cap from the cable's connector.  
**Note:** Do not touch the fiber-optic material.
4. Clean and dry the tip of each fiber within the cable, following the instructions in "Cable Care and Cleaning" in Chapter 1, by gently rubbing the tip with a soft, lint-free cloth that has been moistened with reagent grade isopropyl alcohol. If you do not have the proper equipment, skip this step.  
**Note:** Do not use prepared cleaning compounds, such as tape-head cleaner or denatured (rubbing) alcohol.
5. Remove (pull out) the protective plugs from the board's receptacle.
6. Attach the external HIPPI cable to the IRIS HIPPI port.  
Orient the cable's connector with the dual-SC receptacle on the board's panel plate. The receptacle is keyed to ensure proper orientation. Insert the connector until the 2 parts snap together.
7. Proceed to "Finish."

## 2.8 Finish

When the board is installed and connected, follow these instructions to start operation:

1. Flip the power switch ON.
2. Restart the system by turning the key in the module's System Controller to ON.
3. Logon.
4. If you have not installed and configured the IRIS HIPPI software, do so now by following the instructions in the *IRIS HIPPI Administrator's Guide*. The IRIS HIPPI connection will not function until the software has been configured.  
**Note:** After you finish configuring the software, you will need to reboot the system (or run the *autoconfig* command) to build a new operating system (kernel) that includes the new driver. Then, you will need to again reboot the system to start running this new operating system.

5. Verify that the board has been located by the operating system during the bootup, with either of the following commands:

```
% hinv -d hippi
HIPPI-Serial adapter: unit#, in module# I/O slot#

% find /hw/module -name hippi
/hw/module/#/slot/io#/hippi_serial/pci/0/hippi
```

where the pound signs (#) after module and slot should correctly identify the chassis and XIO slot into which you installed the board.

6. Verify that the board's LEDs indicate normal operation, as illustrated by Figure 1-8.

If the LEDs indicate an error, use the following sequence of commands to verify the hardware's functionality. If the commands below succeed, the IRIS HIPPI hardware is functional; follow the instructions in Table 1-5 to locate the cause of the abnormal LED behavior. If these commands fail, re-install the IRIS HIPPI product. If the problem persists, contact the Silicon Graphics Technical Assistance Center.

```
# hipcntl hippi# shutdown
# hipcntl hippi# loopback
# hipcntl hippi# startup
# hiptest -D /dev/hippi# 16 10
sending 10 packets, size range [16], to I-field 0x01000001
. . . . .
```

7. Verify that the board is operational by following the verification tests described in Chapter 3 of the *IRIS HIPPI Administrator's Guide*.



## Installation Instructions for Onyx2 Deskside

This chapter describes the steps for installing an IRIS HIPPI-Serial XIO board into a Onyx2 Deskside.

### 3.1 Verify All Parts Are Available

Before starting the installation, open the IRIS HIPPI-Serial XIO Board box and verify that all the components are included. Table 3-1 lists the components.

**Table 3-1** Component List for IRIS HIPPI-Serial XIO Board

Item	Quantity
IRIS HIPPI-Serial XIO Board in antistatic bag	1
IRIS HIPPI software on CD-ROM	1
sheet of sticky labels for panel plate	1

### 3.2 Know How to Avoid Damaging the Board

Before starting the installation of the XIO board, do the following:

1. Know how to care for the compression connector on the board, as described in “Guidelines for Storing and Handling the Compression Connector on an XIO Board” in Chapter 1.
2. Understand the electrostatic discharge avoidance guidelines, as summarized in “Electrostatic Discharge” in Chapter 1.

**Caution:** The IRIS HIPPI-Serial XIO board has components that are very sensitive to static electricity. This caution is real; it is not just a standard precaution.

3. Know how to safely handle fiber-optic cable, as described in “Cable Care and Cleaning” in Chapter 1.

### 3.3 Install and Configure IRIS HIPPI Software

If your system is currently up and running, save yourself time and extra system reboots, by installing and configuring the IRIS HIPPI software before you install the new board. Follow the instructions below:

1. Verify that the IRIS HIPPI software is installed:

```
% versions hippy
I hippy 01/31/97 HIPPI Software, version
```

If the IRIS HIPPI software is not installed or if the displayed *version* is earlier than 3.0, install it from the CD (or other source).

2. Follow the instructions in Chapter 2 of the *IRIS HIPPI Administrator's Guide* to configure (a) the IRIS HIPPI software (driver and daemons), and optionally, (b) the IP network interfaces for IRIS HIPPI (*hip#*).

### 3.4 Make System Safe

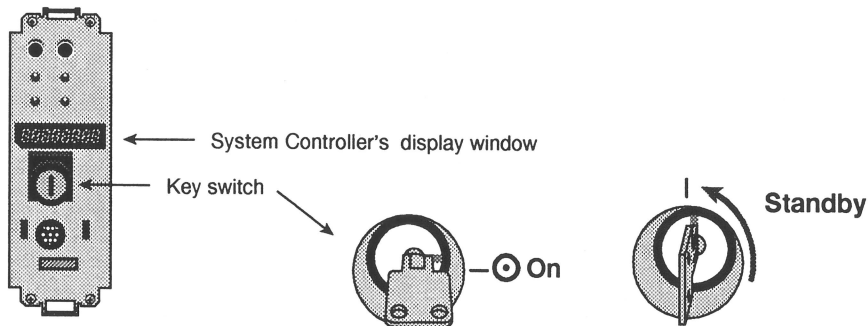
Before starting the installation, follow the instructions in this section to make the system and its surroundings are physically safe.

**Warning:** Failure to follow the instructions in this section can cause serious physical injury or death.

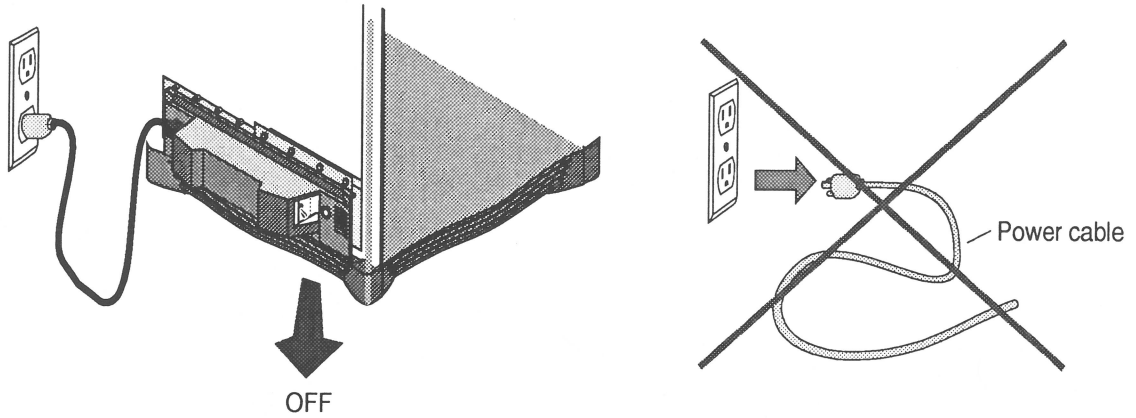
1. Shutdown the system:

```
% su
Password: the_password
# /etc/halt
```

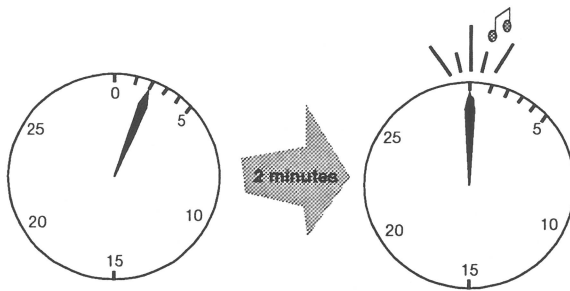
2. When the message appears indicating that it is safe to power down the system, turn the key switch on the System Controller to the STANDBY position.



3. At the rear of the system, flip the power switch (circuit breaker) OFF (down). Do not disconnect the power plug.



4. Wait 2 full minutes after turning off the power to allow the system's stored electrical charge to dissipate.



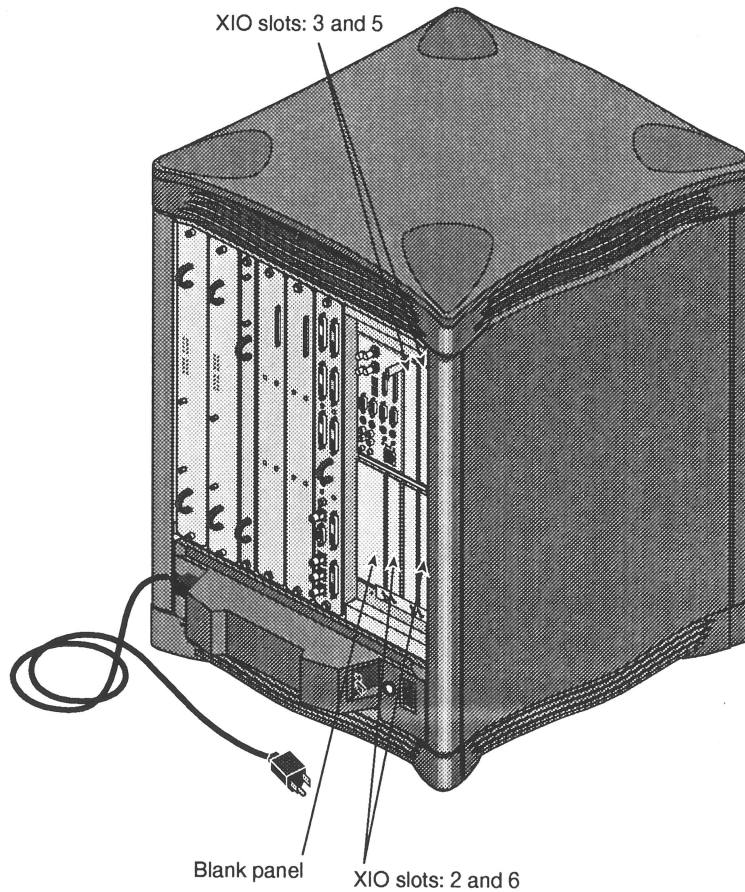
**Warning:** Failure to wait may cause serious injury or death due to electrocution from power stored within the system components.

### 3.5 Select and Prepare Slot

Follow the instructions in this section to select an appropriate XIO slot and prepare it for the installation.

1. Determine which XIO slots on the system are usable.

The Onyx2 Deskside (illustrated in Figure 3-1) has 6 XIO slots, of which 4 are available for optional XIO boards: 2, 3, 5, and 6.



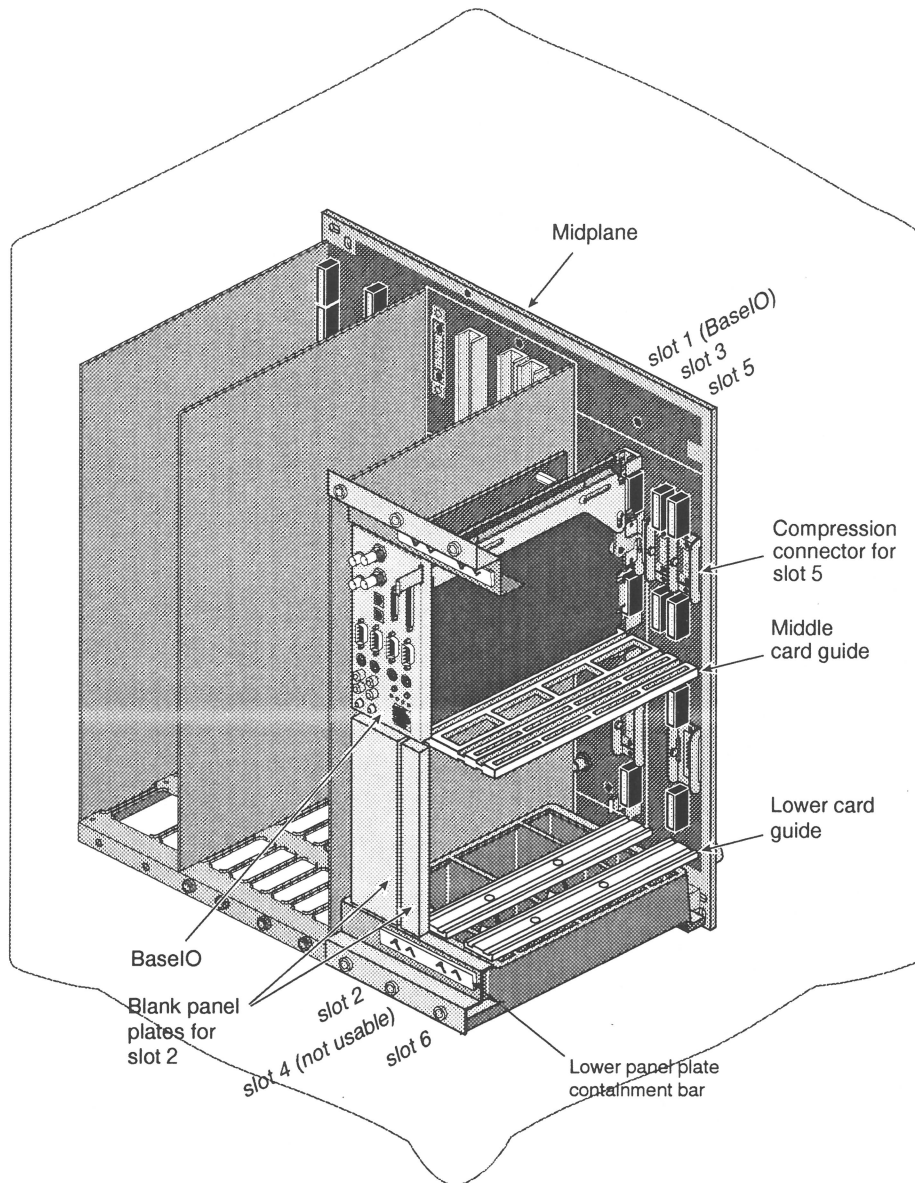
**Figure 3-1** Rear of Onyx2 Deskside

2. Select a slot for the IRIS HIPPI-Serial XIO board.

The IRIS HIPPI-Serial XIO board can be installed into XIO slot 2, 3, 5, or 6 (illustrated in Figure 3-2). Slot 2 can accommodate either the IRIS HIPPI-Serial or the Internal PCI Adapter (box) option.

**Note:** Slot 4 cannot be used for the IRIS HIPPI-Serial board.

In selecting a slot, it is recommended that you fill available odd-numbered slots before filling even-numbered ones, and that you fill lower numbered slots before higher numbered ones. For example, fill slot 3 before filling either slot 2 or slot 5.



**Figure 3-2** XIO Items in Onyx2 Deskside

3. Ground yourself.

**Caution:** Failure to ground yourself may result in irreparable damage to or malfunction of the IRIS HIPPI-Serial XIO board.

4. Locate the panel plate containment bar (illustrated in Figure 3-2) for the selected slot. For odd-numbered slots the bar is above the panel plates. For even-numbered slots, the bar is below them.
5. Use 4-6 turns to loosen each screw along the bar.
6. Pop the bar outwards (pull towards you), then slide it away (up or down) from the panel plates. You will need to slide the bar over some rivets. The bar will snap into a holding position so that it stays out of the way.

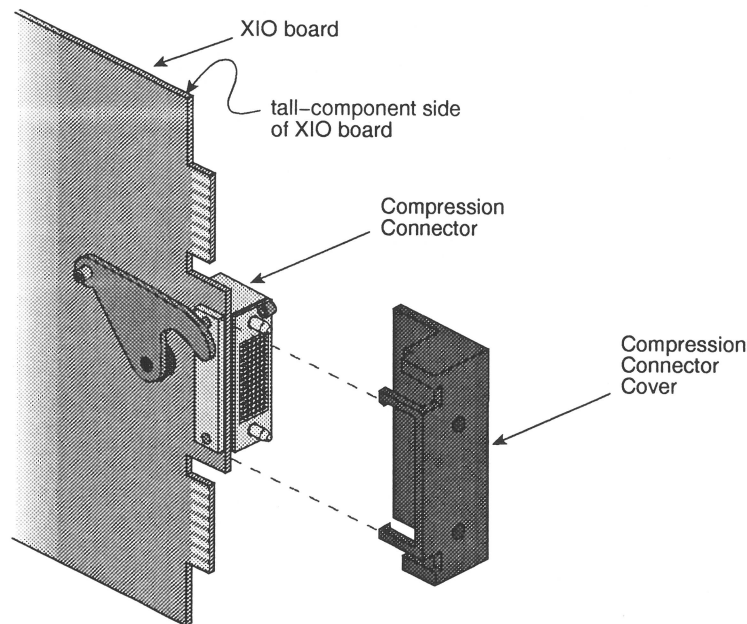
7. For the selected slot, remove the blank XIO board. Store it away.
8. Proceed to "Install IRIS HIPPI-Serial XIO Board."

### 3.6 Install IRIS HIPPI-Serial XIO Board

This section describes how to install the IRIS HIPPI-Serial board into its XIO slot.

**Caution:** Exposure to electrostatic discharge may irreparably damage the IRIS HIPPI-Serial XIO board.

1. Remove the board from its anti-static bag and place it on top of the bag or on your antistatic work surface.
2. Remove the protective cap from the board's compression connector, as illustrated in Figure 3-3. Save this cap. You will need it to cover the compression connector if you remove the board for any reason.

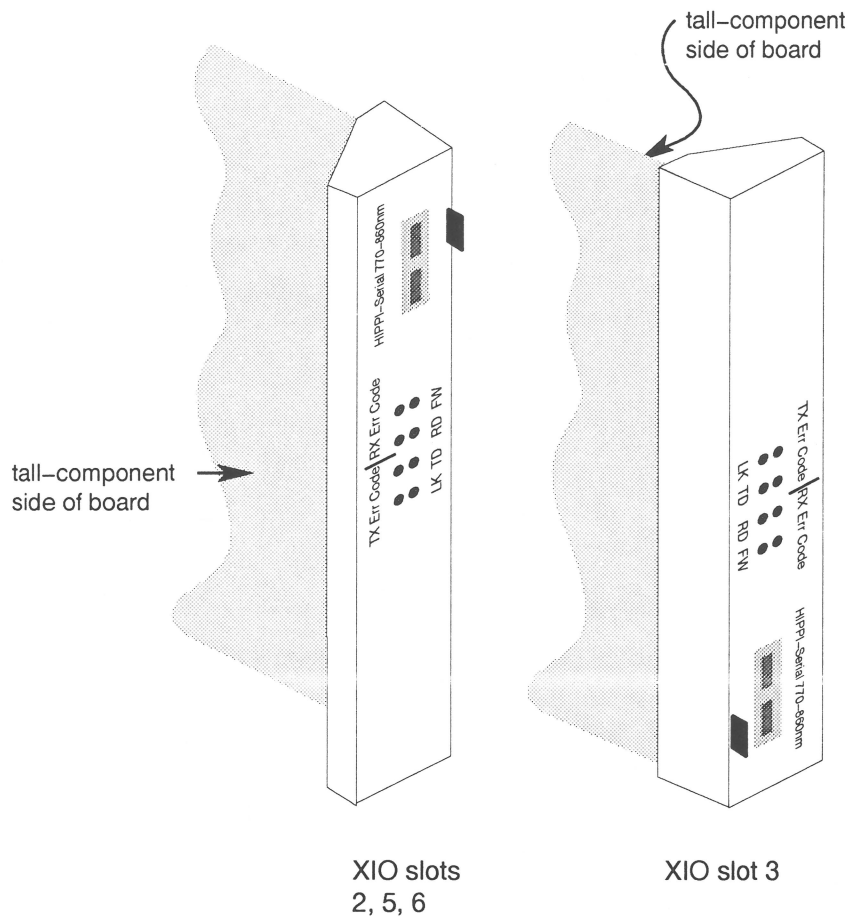


**Figure 3-3** Removing the Protective Cap from the Compression Connector

3. Identify the tall-component side of the IRIS HIPPI-Serial XIO board. The tall-component side of the board has the compression connector and the dual-SC receptacle.
4. Hold the board so that it is vertical and correctly oriented for the selected slot, as illustrated in Figure 3-4.

For slots 2, 5, and 6:  
the external HIPPI connector on the panel plate is at the top.

For slot 3:  
the external HIPPI connector on the panel plate is at the bottom.



**Figure 3-4** Proper Orientation for XIO Boards in Onyx2 Deskside Slots

5. Pull the actuator handle, to open the compression connector hooks.
6. Position the board between the card guides and slide it into the chassis.
 

**Caution:** Take care that no board components are damaged as you slide the board past other XIO boards in the chassis.
7. Verify that the board's panel plate is flush with the other panel plates. If it is not flush, check that the board is properly positioned between the card guides, then press gently until it is flush.
8. Push the hook actuator handle to lock the board to the midplane.
 

Firmly push the handle of the actuator until it stops. Pushing on this handle engages the compression connector's hook with its lock on the midplane.
9. Slide the containment bar back into place so that it holds the panel plates. Tighten its screws.
10. Remove your wrist strap and proceed to "Attach HIPPI Cables."

### 3.7 Attach HIPPI Cables

This section describes the attachment of external HIPPI cables.

1. Locate the site's HIPPI-Serial fiber optic cable for this HIPPI connection.  
**Note:** This external cable is supplied by the customer. External cables and all cabling for the site's HIPPI switch fabric must conform to the HIPPI-Serial specification. See "Site Cabling" in Chapter 1 for complete details.
2. Optional: put labels on the panel plate and cables.
3. Remove the protective cap from the cable's connector.  
**Note:** Do not touch the fiber-optic material.
4. Clean and dry the tip of each fiber within the cable, following the instructions in "Cable Care and Cleaning" in Chapter 1, by gently rubbing the tip with a soft, lint-free cloth that has been moistened with reagent grade isopropyl alcohol. If you do not have the proper equipment, skip this step.  
**Note:** Do not use prepared cleaning compounds, such as tape-head cleaner or denatured (rubbing) alcohol.
5. Remove (pull out) the protective plugs from the board's receptacle.
6. Attach the external HIPPI cable to the IRIS HIPPI port.  
Orient the cable's connector with the dual-SC receptacle on the board's panel plate. The receptacle is keyed to ensure proper orientation. Insert the connector until the 2 parts snap together.
7. Proceed to "Finish."

### 3.8 Finish

When the board is installed and connected, follow these instructions to start operation:

1. Flip the power switch ON.
2. Restart the system by turning the key in the module's System Controller to ON.
3. Logon.
4. If you have not installed and configured the IRIS HIPPI software, do so now by following the instructions in the *IRIS HIPPI Administrator's Guide*. The IRIS HIPPI connection will not function until the software has been configured.  
**Note:** After you finish configuring the software, you will need to reboot the system (or run the *autoconfig* command) to build a new operating system (kernel) that includes the new driver. Then, you will need to again reboot the system to start running this new operating system.

5. Verify that the board has been located by the operating system during the bootup, with either of the following commands:

```
% hinv -d hippi
HIPPI-Serial adapter: unit#, in module# I/O slot#
```

```
% find /hw/module -name hippi
/hw/module/#/slot/io#/hippi_serial/pci/0/hippi
```

where the pound signs (#) after module and slot should correctly identify the chassis and XIO slot into which you installed the board.

6. Verify that the board's LEDs indicate normal operation, as illustrated by Figure 1-8.

If the LEDs indicate an error, use the following sequence of commands to verify the hardware's functionality. If the commands below succeed, the IRIS HIPPI hardware is functional; follow the instructions in Table 1-5 to locate the cause of the abnormal LED behavior. If these commands fail, re-install the IRIS HIPPI product. If the problem persists, contact the Silicon Graphics Technical Assistance Center.

```
# hipcntl hippi# shutdown
# hipcntl hippi# loopback
# hipcntl hippi# startup
# hiptest -D /dev/hippi# 16 10
sending 10 packets, size range [16], to I-field 0x01000001
. . . . .
```

7. Verify that the board is operational by following the verification tests described in Chapter 3 of the *IRIS HIPPI Administrator's Guide*.



## Installation Instructions for Origin2000 and Onyx2 Rackmount

This chapter describes the steps for installing an IRIS HIPPI-Serial XIO board into a Origin2000 or Onyx2 Rackmount system.

### 4.1 Verify All Parts Are Available

Before starting the installation, open the IRIS HIPPI-Serial XIO Board box and verify that all the components are included. Table 4-1 lists the components.

**Table 4-1** Component List for IRIS HIPPI-Serial XIO Board

Item	Quantity
IRIS HIPPI-Serial XIO Board in antistatic bag	1
IRIS HIPPI software on CD-ROM	1
sheet of sticky labels for panel plate	1

### 4.2 Know How to Avoid Damaging the Board

Before starting the installation of the XIO board, do the following:

1. Know how to care for the compression connector on the board, as described in “Guidelines for Storing and Handling the Compression Connector on an XIO Board” in Chapter 1.
2. Understand the electrostatic discharge avoidance guidelines, as summarized in “Electrostatic Discharge” in Chapter 1.

**Caution:** The IRIS HIPPI-Serial XIO board has components that are very sensitive to static electricity. This caution is real; it is not just a standard precaution.

3. Know how to safely handle fiber-optic cable, as described in “Cable Care and Cleaning” in Chapter 1.

## 4.3 Install and Configure IRIS HIPPI Software

If your system is currently up and running, save yourself time and extra system reboots, by installing and configuring the IRIS HIPPI software before you install the new board. Follow the instructions below:

1. Verify that the IRIS HIPPI software is installed:

```
% versions hippo
I hippo 01/31/97 HIPPI Software, version
```

If the IRIS HIPPI software is not installed or if the displayed *version* is earlier than 3.0, install it from the CD (or other source).

2. Follow the instructions in Chapter 2 of the *IRIS HIPPI Administrator's Guide* to configure (a) the IRIS HIPPI software (driver and daemons), and optionally, (b) the IP network interface for IRIS HIPPI (*hip#*).

## 4.4 Select a Slot for the Board

Follow the instructions in this section to select an appropriate XIO slot. Table 4-2 summarizes the rules that must be followed during this selection process.

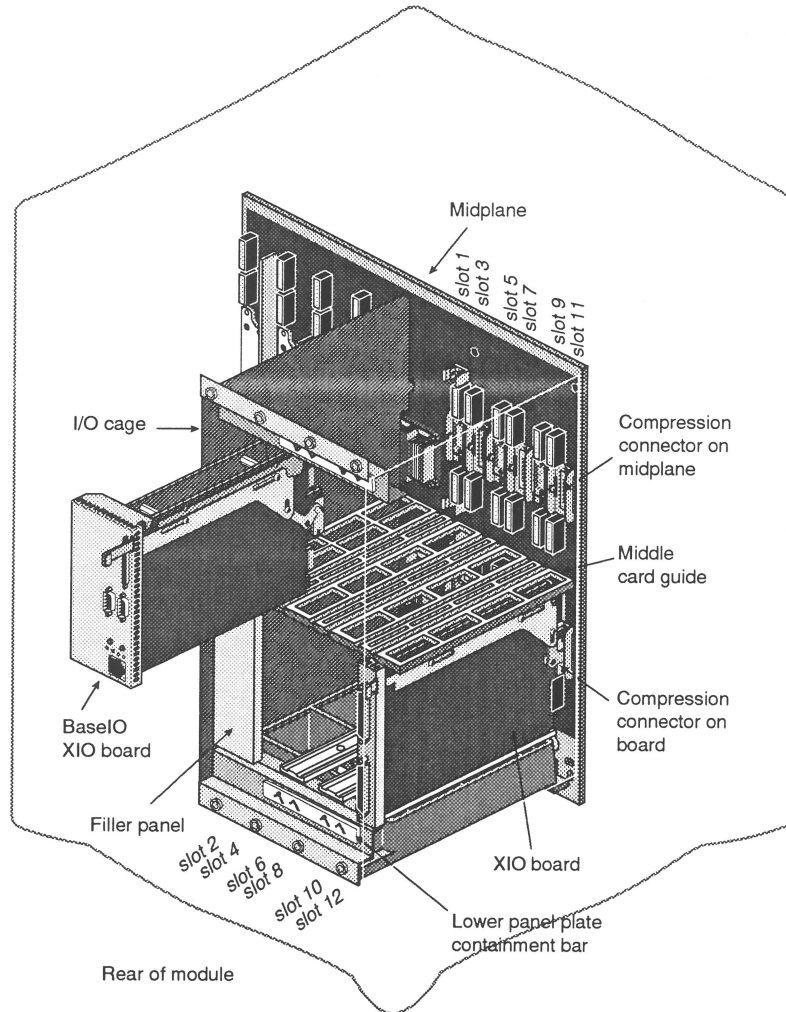
**Table 4-2** Rackmount Slot Selection Rules for the IRIS HIPPI-Serial XIO Board

Description of Rule	Restriction
XIO slots that are physically compatible for installation of an IRIS HIPPI-Serial XIO board	all slots (that is, slots 1-12 in each chassis <sup>a</sup> )
Absolute maximum number of IRIS HIPPI-Serial XIO boards in one interconnected system of shared memory	16 boards
Absolute maximum number of IRIS HIPPI-Serial XIO boards in one Origin2000 Rackmount	12
Absolute maximum number of IRIS HIPPI-Serial XIO boards in one Onyx2 Rackmount	6
Absolute maximum number of IRIS HIPPI-Serial XIO boards in one chassis (module) of a rackmounted platform	6 boards
Recommended maximum number of IRIS HIPPI-Serial XIO boards in slots 1-6 or in slots 7-12	3 boards

- a. Each Origin2000 Rackmount contains 2 chassis (one upper and one lower) that both provide XIO slots. Each Onyx2 Rackmount has 1 chassis that provides XIO slots.

1. If installing the board into a system of interconnected racks, determine the rack into which you are going to install the board.
2. Within the selected rack, determine which chassis (that is, the upper or the lower module) you are going to work on.
 

**Note:** In an Onyx2 Rackmount, the graphics chassis cannot accommodate any XIO boards; only the processor chassis has XIO slots.
3. Determine which XIO slots in the selected chassis are usable. Figure 4-1 illustrates the XIO slots in a processor chassis.



**Figure 4-1** I/O Items in One Processor Module (Chassis) of an Origin2000 or Onyx2 Rackmount

Depending on the number of Node boards, the count of usable XIO slots in a chassis can be 6 or 12. The *Origin2000 Deskside and Rackmount Installation Instructions* or the *Onyx2 Rackmount Installation Instructions* provide information that can help you determine which of the slots are activated and which can be used.

**Note:** In general, if a chassis (module) has a Node board in slot *N1* or *N3*, then XIO slots 1-6 are available. If it has a Node board in slot *N2* or *N4*, XIO slots 7-12 are available. If a chassis has at least two Node boards, one in *N1* or *N3* and one in *N2* or *N4*, then all 12 XIO slots are available.

4. Select a slot for the IRIS HIPPI-Serial XIO board.

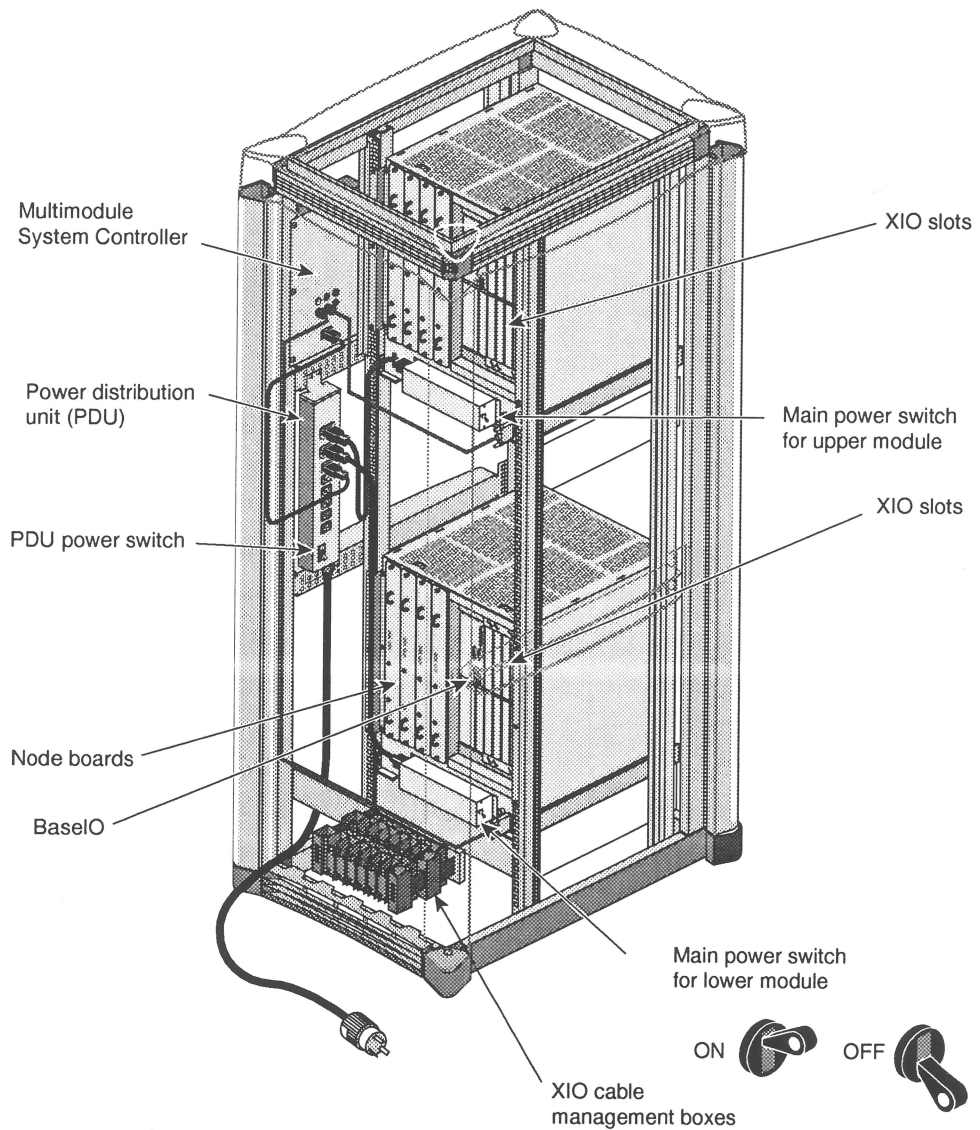
The IRIS HIPPI-Serial XIO board can be installed into any of the XIO slots, including slots 1 and 2 (illustrated in Figure 4-1) that are designed to accommodate the BaseIO and Internal PCI Adapter options.

In selecting a slot for the IRIS HIPPI-Serial board, it is recommended that you fill available odd-numbered slots before filling even-numbered ones, and that you fill lower-numbered slots before higher-numbered ones. For example, fill slot 3 before filling either slot 2 or slot 5, and fill slot 7 before slot 2.

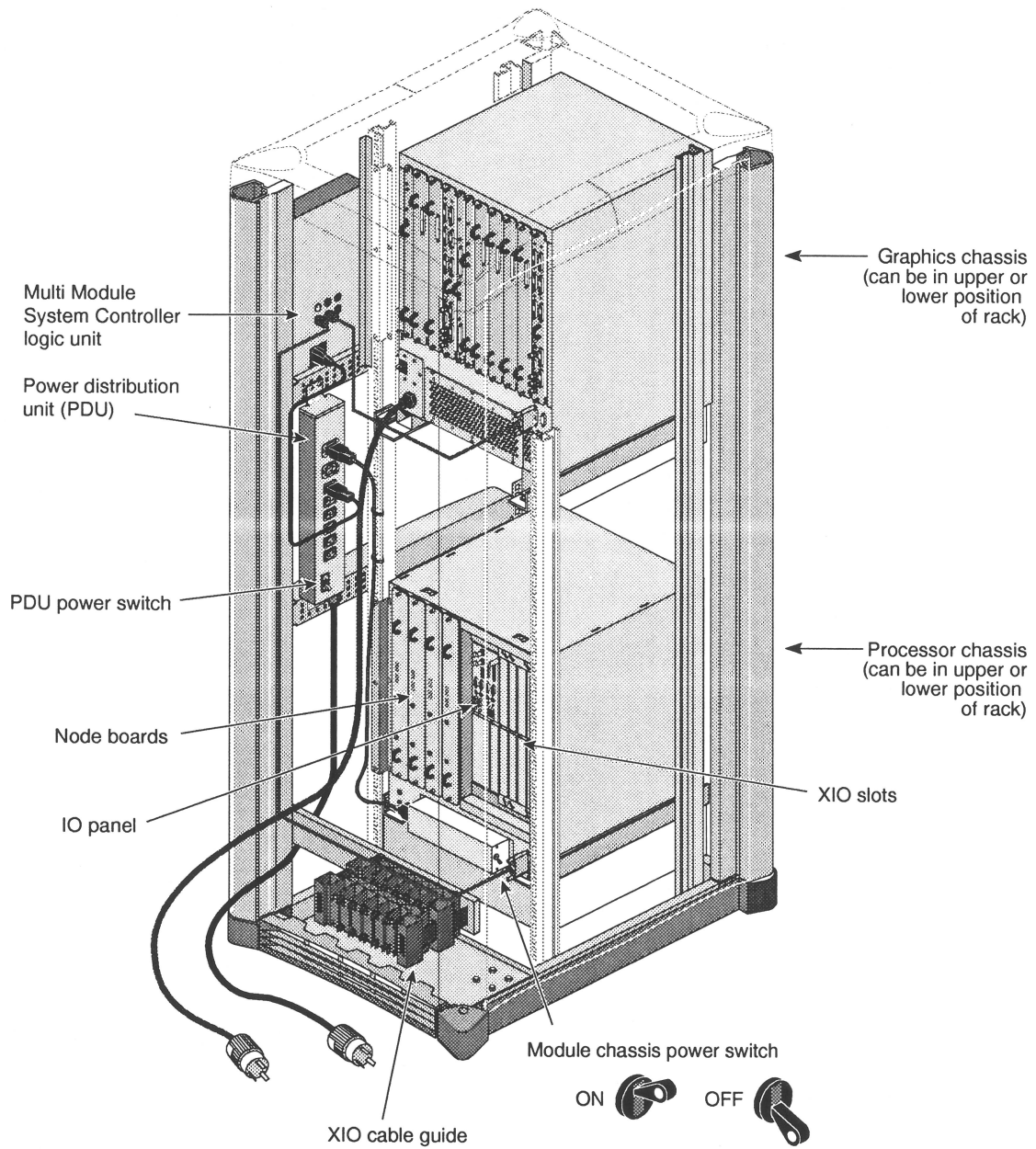
## 4.5 Make System Safe and Prepare for the Installation

Follow the instructions in this section to make the system and its surroundings physically safe and to prepare the slot for installation. Figure 4-2 and Figure 4-3 illustrate the features on a rackmounted system that are most relevant to this task.

**Warning:** Failure to follow the instructions in this section can cause serious physical injury or death.



**Figure 4-2** Rear of an Origin2000 Rackmount



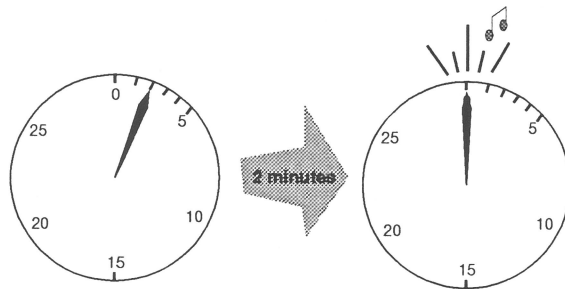
**Figure 4-3** Rear of an Onyx2 Rackmount

1. Shutdown the software for the system:

```
% su
Password: the_password
# /etc/halt
```

2. When the message appears indicating that it is safe to power down the system, follow the appropriate set of power off instructions for the system configuration. These instructions are located in chapter 10 of the *Origin2000 and Onyx2 Deskside and Rackmount Installation Instructions*.

**Caution:** Make sure that you have flipped the module's power switch OFF (down) and waited 2 full minutes (after turning off the power) to allow the chassis' stored electrical charge to dissipate.



**Warning:** Failure to wait may cause serious injury or death due to electrocution from power stored within the system components.

3. Locate the panel plate containment bar (illustrated in Figure 4-1) for the selected slot. For odd-numbered slots the bar is above the panel plates. For even-numbered slots, the bar is below them.
4. Use 4-6 turns to loosen each of the bar's screws.
5. Pop the bar outwards (pull towards you), then slide it diagonally away (up or down) from the panel plates. You will need to slide the bar over some rivets. The bar will snap into a holding position so that it stays out of the way.
6. For the selected slot, use the knob on the blank panel plate to pull the blank XIO board out of the slot. Store the blank board away.
7. Proceed to the next section, "Install IRIS HIPPI-Serial XIO Board."

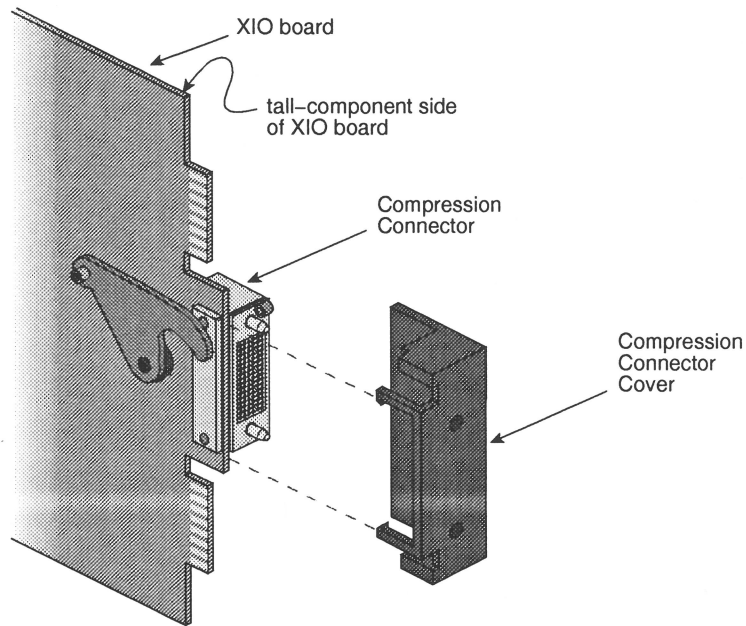
## 4.6 Install IRIS HIPPI-Serial XIO Board

This section describes how to install the IRIS HIPPI-Serial board into its XIO slot.

1. Ground yourself.

**Caution:** Failure to ground yourself may result in irreparable damage to or malfunction of the IRIS HIPPI-Serial XIO board.

2. Remove the board from its anti-static bag and place it on top of the bag or on your antistatic work surface.
3. Remove the protective cap from the board's compression connector, as illustrated in Figure 4-4. Save this cap. You will need it to cover the compression connector if you remove the board for any reason.



**Figure 4-4** Removing the Protective Cap from the Compression Connector

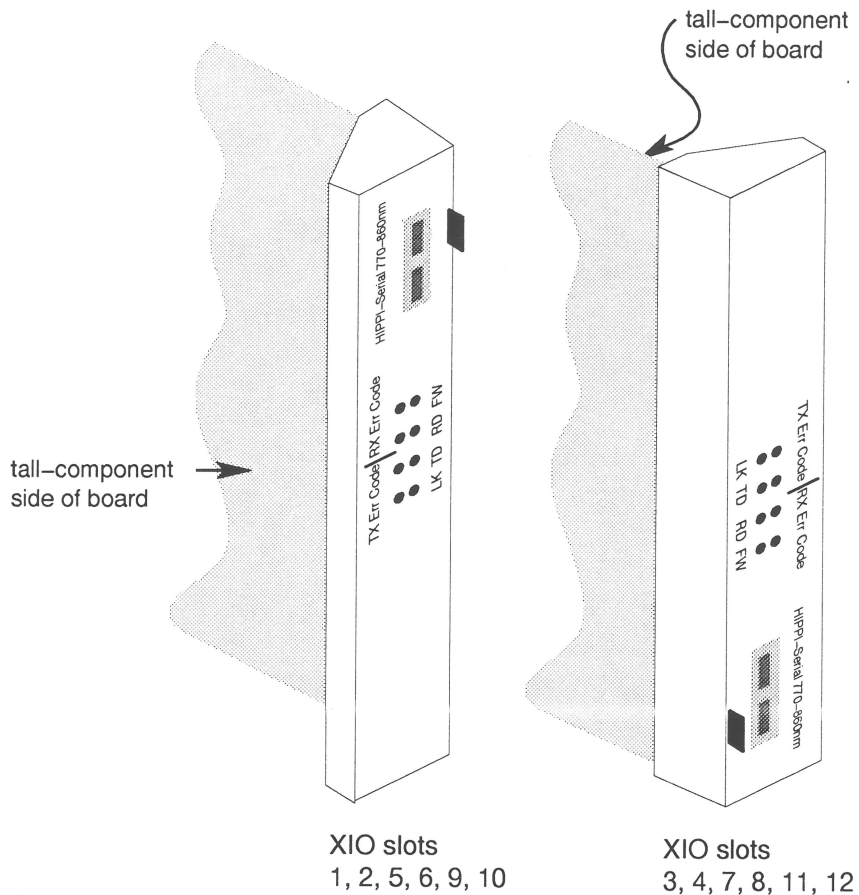
4. Identify the tall-component side of the IRIS HIPPI-Serial XIO board. The tall-component side of the board has the compression connector and the dual-SC receptacle.
5. Hold the board so that it is vertical and correctly oriented for the selected slot, as illustrated in Figure 4-5.

For slots 1, 2, 5, 6, 9, and 10:

the external HIPPI connector on the panel plate is at the top.

For slots 3, 4, 7, 8, 11, and 12:

the external HIPPI connector on the panel plate is at the bottom.



**Figure 4-5** Proper Orientation for XIO Boards in Slots

6. Pull the actuator handle, to open the compression connector hooks.
7. Position the board between the card guides. Slide it into the chassis.

**Caution:** Take care not to damage components on other XIO boards as you slide the board into the chassis.

8. Verify that the board's panel plate is flush with the other panel plates. If it is not flush, check that the board is properly positioned between the card guides, then press gently until it is flush.

**Caution:** Be firm, but gentle. Do not jiggle or rock the board. Do not apply excessive pressure. The compression connector (either on the board or on the midplane) could be irreparably damaged. If necessary, remove the board and start over.

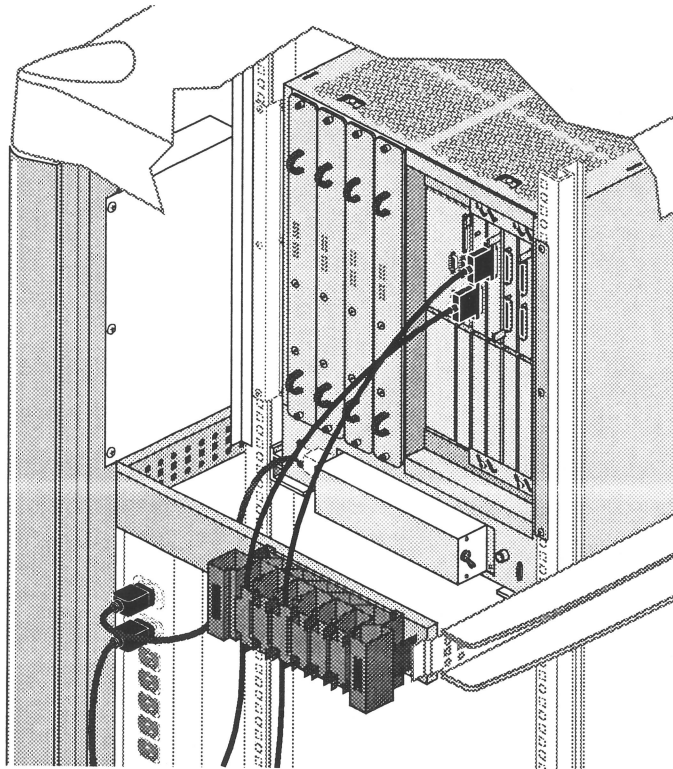
9. Push the hook actuator handle to lock the board to the midplane.

Firmly push the handle of the actuator until it stops. Pushing on this handle engages the compression connector's hook with its lock on the midplane.

10. Reposition the containment bar and tighten its screws.
11. Remove your wrist strap and proceed to "Attach HIPPI Cables."

## 4.7 Attach HIPPI Cables

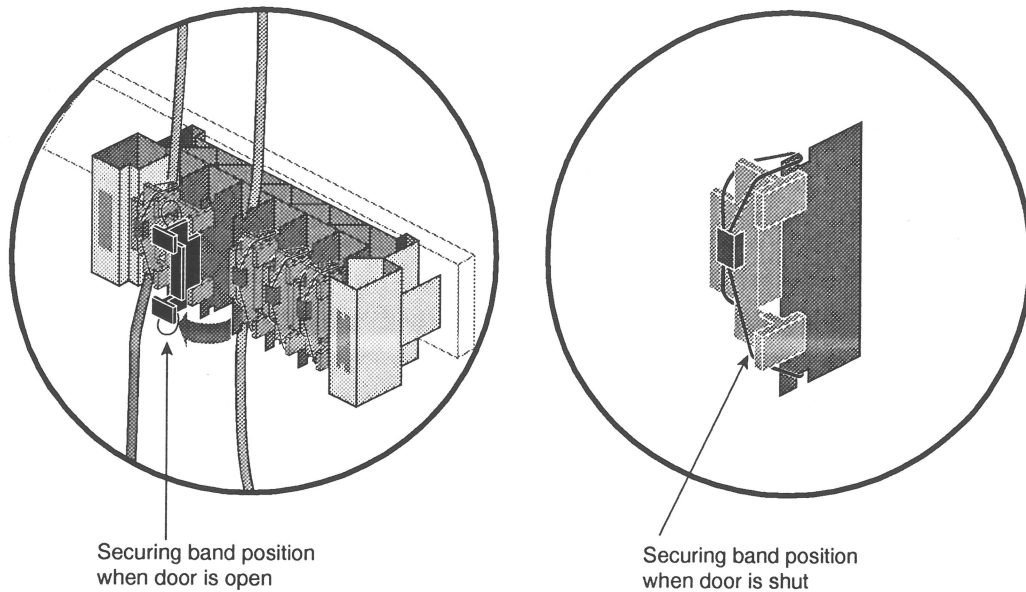
This section describes the attachment and placement of external HIPPI cables into XIO cable management boxes. Figure 4-2 and Figure 4-3 illustrate all the cable management boxes available in a rack; Figure 4-6 illustrates upper module XIO cables arranged in one of the boxes.



**Figure 4-6** XIO Cable Management Box

1. Locate the site's HIPPI-Serial fiber optic cable for this HIPPI connection.  
**Note:** This external cable is supplied by the customer. External cables and all cabling for the site's HIPPI switch fabric must conform to the HIPPI-Serial specification. See "Site Cabling" in Chapter 1 for complete details.
2. Optional: Put labels on the panel plate and cables.
3. Remove the protective cap from the cable's connector.  
**Note:** Do not touch the fiber-optic material.
4. Clean and dry the tip of each fiber within the cable, following the instructions in "Cable Care and Cleaning" in Chapter 1, by gently rubbing the tip with a soft, lint-free cloth that has been moistened with reagent grade isopropyl alcohol (isopropanol 92%). If you do not have the proper equipment, skip this step.  
**Note:** Do not use prepared cleaning compounds, such as tape-head cleaner or denatured (rubbing) alcohol.
5. Remove (pull out) the protective plugs from the board's receptacle.

6. Attach the external HIPPI cable to the IRIS HIPPI port.  
Orient the cable's connector with the dual-SC receptacle on the board's panel plate. The receptacle is keyed to ensure proper orientation. Insert the connector until the 2 parts snap together.
7. Arrange the cable in the appropriate cable management box.  
Open one stable by flipping the looped ends of the securing band (o-ring) out of the slots on the stable dividers, and swinging the door outward, as illustrated in Figure 4-7.



**Figure 4-7** Door Operation for XIO Cable Management Box

For cables coming from the upper module, the cable should be placed into 2 stables: one in the upper box and one in the outward-facing lower box.

For cables from the lower module, the cable should be placed in the interior-facing bottom box. (To access this box, pop the exterior box off and push it aside.)

8. Close the stable door.  
Press and hold the plastic door shut. Slip the looped ends of the band into the upper and lower slots of the dividers, as illustrated in Figure 4-7.
9. Proceed to "Finish."

## 4.8 Finish

When the board is installed and connected, follow the instructions in this section to start operation.

**Note:** The IRIS HIPPI connection cannot function unless the software and hardware have been configured, as described in the *IRIS HIPPI Administrator's Guide*.

1. Power on the system. Follow the appropriate power on instructions for the system's configuration. These instructions are located in "Installation" chapter of the *Origin2000 and Onyx2 Deskside and Rackmount Installation Instructions*.

2. Logon.

3. If you have not installed and configured the IRIS HIPPI software, do so now by following the instructions in the *IRIS HIPPI Administrator's Guide*. The IRIS HIPPI connection will not function until the software has been configured.

**Note:** After you finish configuring the software, you will need to reboot the system (or run the *autoconfig* command) to build a new operating system (kernel) that includes the new driver. Then, you will need to again reboot the system to start running this new operating system.

4. Verify that the board has been located by the operating system during the bootup, with either of the following commands:

```
% hinv -d hippy
HIPPI-Serial adapter: unit#, in module# I/O slot#
```

```
% find /hw/module -name hippy
/hw/module/#/slot/io#/hippy_serial/pci/0/hippy
```

where the pound signs (#) after module and slot should correctly identify the chassis and XIO slot into which you installed the board.

5. Verify that the board's LEDs indicate normal operation, as illustrated by Figure 1-8.

If the LEDs indicate an error, use the following sequence of commands to verify the hardware's functionality. If the commands below succeed, the IRIS HIPPI hardware is functional; follow the instructions in Table 1-5 to locate the cause of the abnormal LED behavior. If these commands fail, re-install the IRIS HIPPI product. If the problem persists, contact the Silicon Graphics Technical Assistance Center.

```
# hipcntl hippy# shutdown
# hipcntl hippy# loopback
# hipcntl hippy# startup
# hiptest -D /dev/hippy# 16 10
sending 10 packets, size range [16], to I-field 0x01000001
. . . . .
```

6. Verify that the connection is operational by following the verification tests described in Chapter 3 of the *IRIS HIPPI Administrator's Guide*.